



T: +44 (0) 1484 864867
F: +44 (0) 1484 861116
E: info@melett.com



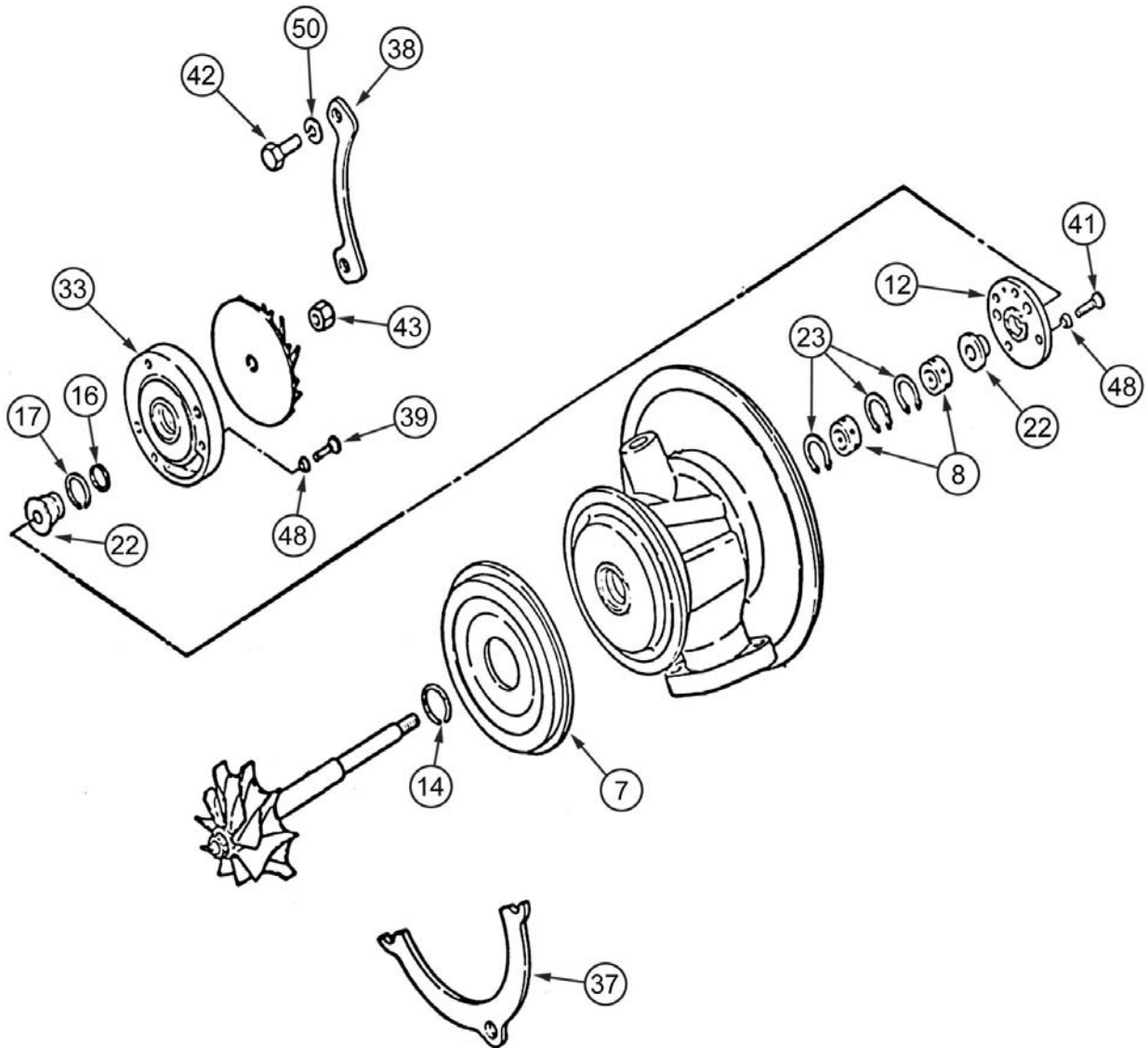
IHI

RHB3

Type Turbos

RHB3 Type

Common Service Parts



RHB3 Type

Repair Parts & Service Kits

All parts are available for purchase as individual components
 or in the following popular Repair Kits

Key	part number	Description	qty in Turbo	1450-032-750	1450-032-751	1450-032-754
8	1450-031-100	Bearing Wide 5.88mm	2		2	2
8	1450-032-100	Bearing Narrow 4.78mm	2	2		2
12	1450-032-320	Thrust Bearing	1	1	1	1
14	1450-032-160	Piston Ring Turbine End	1	1	1	1
16	1450-032-170	Piston Ring Comp. Small	1	1	1	1
17	1450-032-175	Piston Ring Comp Large	1	1	1	1
23	1450-032-140	Retaining Ring J-Brg	3	3	3	3
39	1450-052-610	Screw (M3 x 12 Seal Plate)	2	2	2	2
41	1450-052-620	Screw (M3 x 6.5 Thrust Brg)	2	2	2	2
43	1450-032-350	Shaft Nut	1	1	1	1

Description of Repair Kits available

- 1450-032-750 Repair Kit (Minor Narrow Brgs)
- 1450-032-751 Repair Kit (Minor Wide Brgs)
- 1450-032-754 Repair Kit (Minor Narrow + Wide Brgs)

Oversize Repair Parts Available

RHB3		Turbine	Compressor
OD	Width		
Standard	Standard	1450-032-160	
+ 0.010"	Standard	1450-032-180	
Standard	Standard		1450-032-175
Standard	Standard		1450-032-170



T: +44 (0) 1484 864867
F: +44 (0) 1484 861116
E: info@melett.com



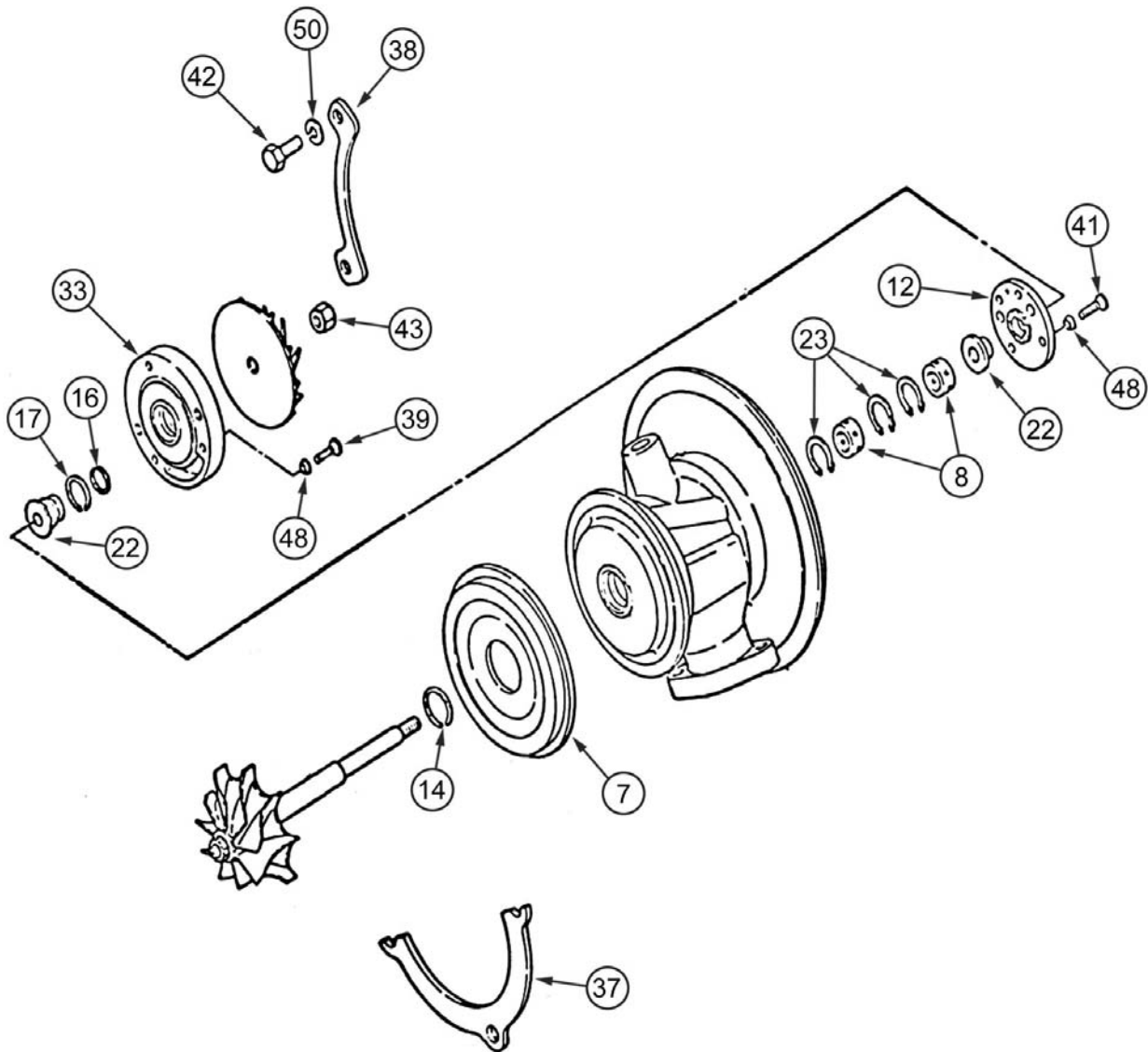
IHI

RHF3

Type Turbos

RHF3 Type

Common Service Parts



RHF3 Type

Repair Parts & Service Kits

All parts are available for purchase as individual components
 or in the following popular Repair Kits

Key	part number	Description	qty in Turbo	
8	1450-031-100	Journal Bearing	2	
12	N/A	Thrust Bearing	1	
14	1450-030-160	Piston Ring Turbine End	1	
16	1450-032-170	Piston Ring Comp. Small	1	
17	1450-032-175	Piston Ring Comp Large	1	
23	1450-032-140	Retaining Ring J-Brg	3	
39	1450-052-610	Screw (M3 x 12 Seal Plate)	2	
41	1450-052-620	Screw (M3 x 6.5 Thrust Brg)	2	
43	1450-032-350	Shaft Nut	1	



T: +44 (0) 1484 864867
F: +44 (0) 1484 861116
E: info@melett.com



IHI

RHF4

Type Turbos



T: +44 (0) 1484 864867
F: +44 (0) 1484 861116
E: info@melett.com



RHF4 Type

Common Service Parts

Illustration for this turbo is not currently available – please contact Melett Engineers for latest availability of technical information.

RHF4 Type

Repair Parts

Key	part number	Description	qty in Turbo	1450-040-750	1450-040-751	1450-040-752	1450-040-753
8	1450-040-100	Journal Bearing	2	2	2	2	2
9	1450-040-290	Bearing Spacer	1				
12	1450-040-320	Thrust Bearing (Non W/Cooled)	1	1	1		
12	1450-040-321	Thrust Bearing Fixed (Bi metallic)	1	1	1	1	1
12	1450-040-322	Thrust Bearing (W/cooled)	1			1	1
14	1450-040-160	Piston Ring (Turbine) Std/Std	1	1	1	1	1
15	1450-040-170	Piston Ring (Comp) Std/Std	1	1	1	1	1
20	1450-040-220	Thrust Washer	1		1		1
22	1450-040-200	Thrust Flinger	1		1		1
23	1450-040-140	Retaining Clip J-Brg	1	1	1	1	1
39	1450-040-621	Screw (M5 x 13 Seal Plate)	4	4	4	4	4
41	1450-040-615	Screw (M3 x 9 Thrust Brg)	3	3	3	3	3
42	1450-040-621	Screw (M5 x 13 Comp Cover)	5	5	5	5	5
43	1450-040-350	Shaft Nut	1	1	1	1	1

This model is under further development in 2009 – please contact Melett Sales for latest availability.

Description of Repair Kits available

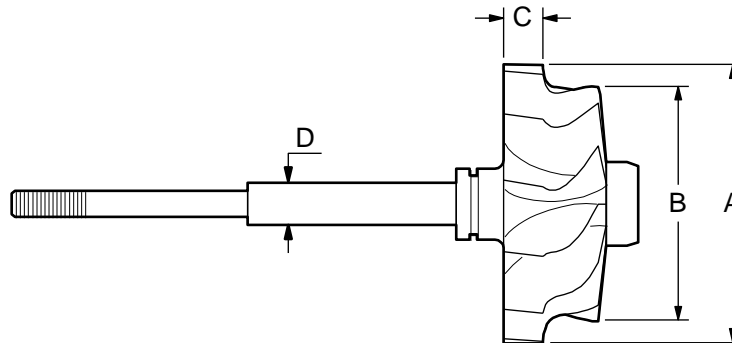
- 1450-040-750** Repair Kit (Minor Non Watercooled Brg Hsg)
- 1450-040-751** Repair Kit (Major Non Watercooled Brg Hsg)
- 1450-040-752** Repair Kit (Minor Watercooled Brg Hsg))
- 1450-040-753** Repair Kit (Major Watercooled Brg Hsg)

Oversize Repair Parts Available

No oversize parts are currently available for RHF4 - please contact Melett Sales for latest availability.

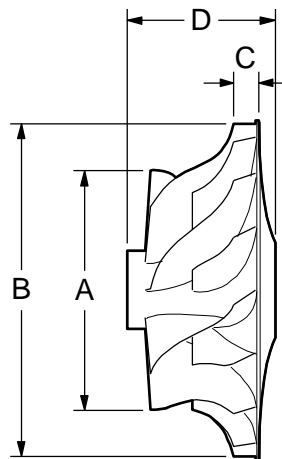
RHF4 Type

Shaft and Wheel



OE Number	Melett Part No.	Inducer Diameter ØA	Exducer Diameter ØB	Tip Height C	Journal Bearing ØD	Comp. Wheel Bore ØE	Blades	Type of Shaft
For AS12 turbo	1450-040-435	46.50	35.50	4.4	7.40	5.11	9	Straight
For VJ32 turbo	1450-040-436	46.50	38.50	7.0	7.40	5.11	11	Straight

Compressor Wheel



O.E.M. Designation	OE Number	Melett Part No.	Inducer Diameter ØA	Exducer Diameter ØB	Tip Height C	Total Height D	Blades	Flatback/ Superback /trim	Shaft Bore Ø
RHF4	FOR VV14	1450-040-400	37.44	52.50	4.84	24.400	10	Superback	5.09
RHF4		1450-040-401	39.36	52.50	4.94	29.600	7/7	Superback	5.11
RHF4		1450-040-404	35.40	52.50	3.84	25.700	7/7	Superback	5.11
RHF5		1450-050-400	40.02	56.00	4.49	31.800	7/7	Superback	5.11



T: +44 (0) 1484 864867
F: +44 (0) 1484 861116
E: info@melett.com



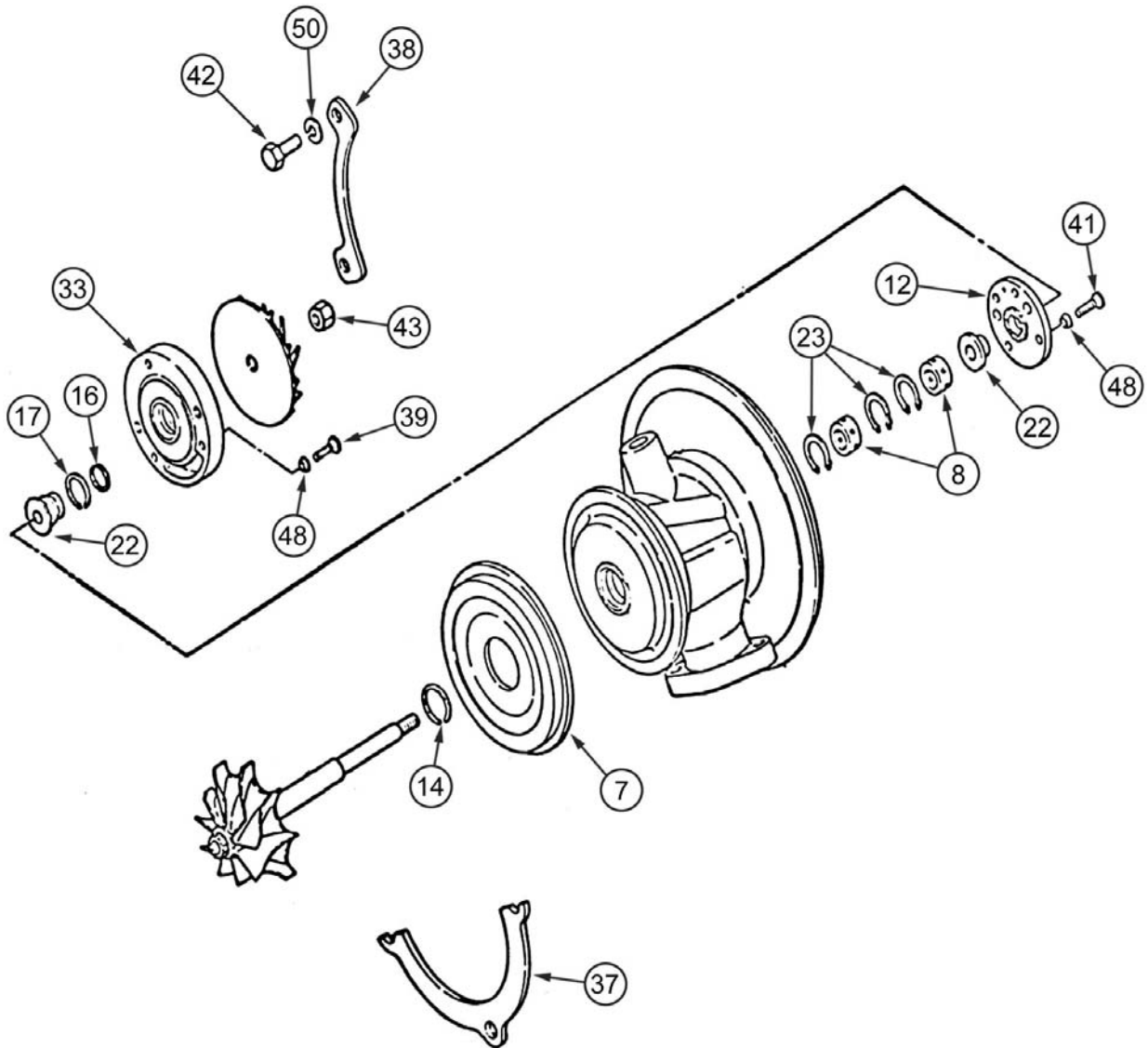
IHI

RHB5/52

Type Turbos

RHB5/52 Type

Common Service Parts



RHB5 / RHB52 Type

Repair Parts & Service Kits

All parts are available for purchase as individual components or in the following popular Repair Kits

Key	part number	Description	qty in Turbo	1450-052-750	1450-052-751	1450-052-752	1450-052-753	1450-052-754	1450-052-755
8	1450-051-100	Bearing Wide 7mm	2		2		2	2	2
8	1450-052-100	Bearing Narrow 6mm	2	2		2		2	2
12	1450-052-320	Thrust Bearing	1	1	1	1	1	1	1
14	1450-052-160	Piston Ring Turbine End	1	1	1	1	1	1	1
16	1450-052-175	Piston Ring Comp Small	1	1	1	1	1	1	1
17	1450-052-170	Piston Ring Comp Large	1	1	1	1	1	1	1
19	1450-052-240	Thrust Collar	1			1	1		1
22	1450-052-200	Thrust Flinger	1			1	1		1
23	1450-052-140	Retaining Ring J-Brg	3	3	3	3	3	3	3
39	1450-052-610	Screw (M3 x 12 Seal Plate)	4	4	4	4	4	4	4
41	1450-052-620	Screw (M3 x 6.5 Thrust Brg)	4	4	4	4	4	4	4
43	1450-052-350	Shaft Nut	1	1	1	1	1	1	1

Description of Repair Kits available

- 1450-052-750 Repair Kit (Minor Narrow Brg)
- 1450-052-751 Repair kit (Minor Wide Brg)
- 1450-052-752 Repair Kit (Major Narrow Brg)
- 1450-052-753 Repair Kit (Major Wide Brg)
- 1450-052-754 Repair Kit (Minor Narrow + Wide Brgs)
- 1450-052-755 Repair Kit (Major Narrow + Wide Brgs)

For oversize Journal Bearings and piston rings, see page 14

RHB5 / RHB52 Type

Oversize Repair Parts Available

Journal Bearings

RHB5		Narrow	Wide
Standard	Standard	1450-052-100	1450-051-100
+ 0.005"	- 0.005"	1450-052-110	1450-051-110
+ 0.005"	Standard	1450-052-114	1450-051-114
Standard	- 0.005"	1450-052-117	1450-051-117
+ 0.010"	- 0.010"	n/a	1450-051-120
+ 0.010"	Standard	n/a	1450-051-124
Standard	- 0.010"	1450-052-127	1450-051-127
+ 0.005"	- 0.010"	n/a	1450-051-130
+ 0.010"	- 0.005"	n/a	1450-051-131

Piston Rings

RHB5		Turbine	Compressor
OD	Width		
Standard	Standard	1450-052-160	
+ 0.010"	Standard	1450-052-180	
Standard	+ 0.010"	1450-052-181	
+ 0.010"	+ 0.010"	1450-052-182	
Standard	Standard		1450-052-175
Standard	Standard		1450-052-170

RHB5 / RHB52 Type

Major Replacement Parts

Shaft and Wheels are in development for 2009 – contact Melett Sales for latest availability

Turbine Housings

Make	Model	Year	Turbo	Short Code	IHI Number	Melett Number
Isuzu	Trooper 3.1L	91 to 94	RHB5	VICC	N/K	1450-052-820
Opel	Monterey 3.1L	94 --->	RHB5	VIAN	N/K	1450-052-820
Fiat / Lancia	Punto		RHB52	VL7	NN139606	1450-052-821



T: +44 (0) 1484 864867
F: +44 (0) 1484 861116
E: info@melett.com



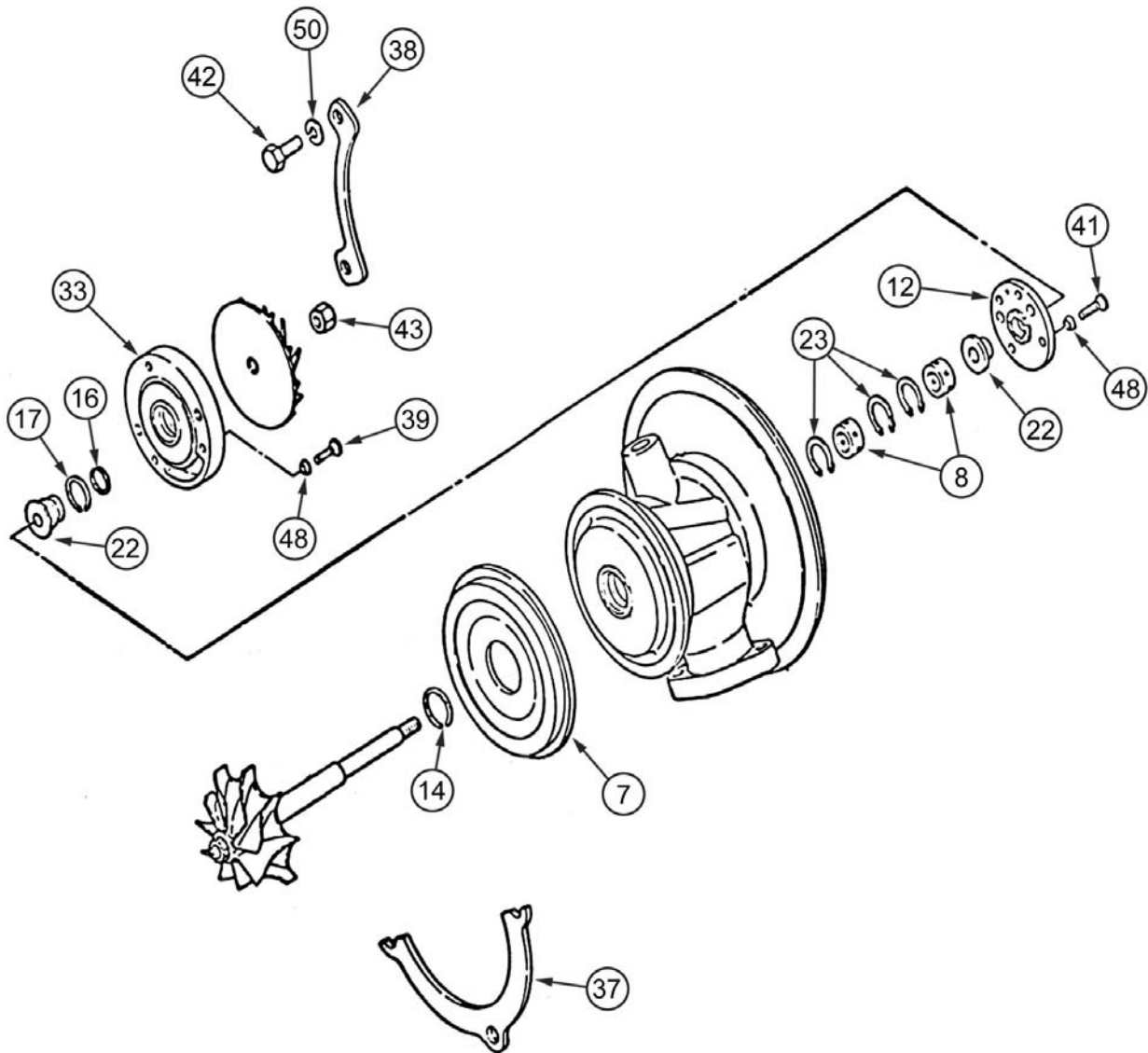
IHI

RHB6

Type Turbos

RHB6 Type

Component Parts Common



RHB6 Type

Repair Parts & Service Kits

All parts are available for purchase as individual components
 or in the following popular Repair Kits

Key	part number	Description	qty in Turbo	1450-060-750	1450-060-751
8	1450-060-100	Bearing Narrow 7.5mm	2	2	
8	1450-061-100	Bearing Wide 8.5mm	2		2
12	1450-060-320	Thrust Bearing	1	1	1
14	1450-060-160	Piston Ring turb. end	1	1	1
16	1450-060-175	Piston Ring Comp Large	1	1	1
17	1450-060-170	Piston Ring Comp Small	1	1	1
23	1450-060-140	Retaining Ring J-Brg	3	3	3
43	1450-060-350	Shaft Nut	1	1	1

This model is under further development in 2009 – please contact Melett Sales for latest availability.

Oversize Repair Parts Available

Piston Rings

RHB6		Turbine	Compressor
OD	Width		
Standard	Standard	1450-060-160	
+ 0.010"	Standard	1450-060-180	
Standard	+ 0.010"	1450-060-181	
+ 0.010"	+ 0.010"	1450-060-182	
Standard	Standard		1450-060-170
Standard	Standard		1450-060-175



T: +44 (0) 1484 864867
F: +44 (0) 1484 861116
E: info@melett.com



IHI

RHB7

Type Turbos



T: +44 (0) 1484 864867
F: +44 (0) 1484 861116
E: info@melett.com



RHB7 Type

Component Parts Common

Illustration for this turbo is not currently available – please contact Melett Engineers for latest availability of technical information.

RHB7 Type

Repair Parts & Service Kits

All parts are available for purchase as individual components
 or in the following popular Repair Kits

Key	part number	Description	qty in Turbo	1450-060-750
8	1450-070-100	Bearing	2	2
12	1450-070-320	Thrust Bearing	1	1
14	1450-070-160	Piston Ring Turb End	1	1
16	1450-070-175	Piston Ring Comp Small	1	1
17	1450-070-170	Piston Ring Comp Large	1	1
23	1450-070-140	Retaining Ring J-Brg	3	3
43	1450-070-350	Shaft Nut	1	1

This model is under further development in 2009 – please contact Melett Sales for latest availability.

Oversize Repair Parts Available

No oversize parts are currently available for RHB7 - please contact Melett Sales for latest availability.