

# Toyota Turbo's Applications List

*Whilst every effort has been made to prove the accuracy of the information in this list, Toyota applications and part numbers can vary from country to country. Melett thanks it's customers for the valuable contributions already made to help produce this list. If you have further information or would like to update this list by filling in the missing information, please fax or email Melett at the above contact details.*

Toyota Applications List					
Vehicle Model	Engine Code	Vehicle Turbo No.	T/Hsg Casting No.	OE Turbo No.	Turbo Model
4-Runner	1KZT	17201-67010	67010	17201-67010	CT12B
4-Runner	KZN130	17201-67010	67010	17201-67010	CT12B
4-Runner	2L-T	17201-54030	54010	17201-54030	CT20
Avensis	1CD-FTV	17201-27030		721164-0005	GT1749V
Avensis	1CD-FTV	17201-27030F		721164-0013	GT1749V
Avensis	2C/GTE	17201-64150	64060	17201-64150	CT9
Avensis	1CD-FTV	17201-27030		721164-0011	GT1749V
Avensis	CDT220	17201-27010		VF420034	RHF4H
Avensis	1CD-FTV	17201-27010		VF420034	RHF4H
Avensis		17201-27010		VF420034	VB6
Avensis	1CD	17201-0G01B		727210-0001	GT1749V
Avensis	1CD	17201-0G010		727210-0001	GT1749V
Avensis D-4D 114HP	1CD	17201-0G010-B		727210-0001	GT1749V
Avensis Td	2C-T	17201-64110	64040	17201-64110	
Camry	2CT	17201-64020		17201-64020	CT12
Camry	2CT	17201-64040		17201-64040	CT12
Camry	1CTL-CV10	17201-64010		17201-64010	CT20
Carina	3CTE	17201-64170		17201-64170	CT9
Celica 2.0L '87-89	ST165	17201-74010	74010	17201-74010	CT26
Celica 2.0L '89-94	ST185	17201-74030	74020	17201-74030	CT26
Celica 2.0L '89-94	ST185	17201-74020	74020	17201-74020	CT26
Celica 2.0L '94-96	ST205	17201-74080	74040	17201-74080	CT26 small
Celica 4WD	3SGTE	17201-74060	74040	17201-74060	CT26
Celica ST205	3SGTE	17201-74080	74040	17201-74080	CT26 small
Corolla	1CD-FTV	17201-27050		VB420052	RHF4H
Corolla	1CD-FTV	17201-27020		VA420040	RHF4H
Corolla	1CD-FTV	17201-27060		VC420061	RHF4H
Corolla	1CD	17201-0G010		727210-0001	GT1749V
Corolla	1ND	17201-0N010C		758870-0001	GT1444V
Corolla	1ND	17201-0N010C		758870-0001	GT1444V
Corolla	1ND	17201-0N010		751418-0002	GT1444V
Corolla	1CD	17201-0G01B		727210-0001	GT1749V
Corolla	1ND	17201-0N010		751418-0002	GT1444V
Corolla Cde		17201-27060		17201-27060	
Corolla Cde		17201-27050		17201-27050	
Corolla Cde		17201-27020		17201-27020	
Corolla Verso	1CD	17201-0G01B		727210-0001	GT1749V
Corona	3CTE	17201-64170		17201-64170	CT9
Cressida		17201-54011		17201-54011	CT
Crown	M-TEU	17201-41011A		465838-0002	TBO318
Crown	M-GEU	17201-41010		465838-0001	TBO318

### Toyota Applications List

Vehicle Model	Engine Code	Vehicle Turbo No.	T/Hsg Casting No.	OE Turbo No.	Turbo Model
Dyna	14BT	17201-58020		17201-58020	CT26
Dyna	S05CTB	17201-78050		17201-78050	CT
Estima	O21Y	17201-27030		721164-0003	GT1749V
Estima	O21Y	17201-27030-A		721164-0003	GT1749V
Estima	281F	17201-281F3		705998-0012	GT1749V
Estima	O21Y	17201-27030A		721164-0003	GT1749V
Estima	O21Y	17201-27030		721164-0011	GT1749V
Estima	281F	17201-281F3		705998-0012	GT1749V
Estima/Emina/Lucida	3CTE	17201-64140		17201-64140	CT9
Estima/Emina/Lucida	3CTE	17201-64170		17201-64170	CT9
Estima/Emina/Lucida	3CT	17201-64070		17201-64070	CT9
Estima/Emina/Lucida	3CT	17201-64071		17201-64071	CT9
Hiace		17201-30020		17201-30020	CT
Hiace		17201-78010		17201-78010	CT
Hiace		17201-30030	VNT	17201-30030	CT9
Hiace		17201-58050		17201-58050	CT
Hiace	DI	17201-58060		VA430045	RHF5H
Hiace	2L-T	17201-54061		17201-54061	CT20
Hiace	2L-T	17201-54090	54040	17201-54090	CT
Hiace	2L-T	17201-54090	54040	17201-54090	CT9
Hiace	15BFT	17201-58040	58030	17201-58040	CT12B
Hiace	2L-T	17201-54060	54030	17201-54060	CT20
Hilux	2L-T	17201-54090	54040	17201-54090	CT
Hilux	2L-T	17201-54090	54040	17201-54090	CT9
Hilux	2L-T	17201-54090	54040	17201-54090	CT9
Hilux	2LTE	17201-54081		17201-54081	CT20
Hilux	2L-T	17201-54060	54030	17201-54060	CT20
Hilux	KZN130	17201-67010	67010	17201-67010	CT12B
Hilux D Cab 2.5L D		17201-0L030		17201-0L030	?
Landcruiser	292F	17201-17050A		724483-0005	GT2359V
Landcruiser	1KZT	17201-67010	67010	17201-67010	CT12B
Landcruiser	1KZT	17201-67010	67010	17201-67010	CT12B
Landcruiser	HR492HT	35242014A		5316-970-6706	K16
Landcruiser	HR492HT	35240028A		5324-988-6053	K24
Landcruiser	HR492HT	35242014A		5316-988-6706	K16
Landcruiser	292F	17201-17050F		750001-0002	GT2359V
Landcruiser	292F	17201-17050F		750001-0002	GT2359V
Landcruiser	292F	17201-17070B		724483-0009	GT2359V
Landcruiser	1HD-FT	17201-17030	17010	17201-17030	CT26
Landcruiser	292F	17201-17050A		750001-0001	GT2359V
Landcruiser	292F			724483-0008	GT2359V
Landcruiser	HR488HT	35240031A		5324-988-6052	K24
Landcruiser	HR492HT	35240028A		5324-970-6053	K24
Landcruiser	HR488HT	35240031A		5324-988-6054	K24
Landcruiser	1HDT	17201-17010	58020	17201-17010	CT26
Landcruiser	HR492HT	35240028A		5324-970-6053	K24
Landcruiser	1KZ-TE	17201-67020		17201-67020	CT12B
Landcruiser	12HT	17201-68010	58010	17201-68010	CT26
Landcruiser	1HD-FTE	17201-17050		17201-17050	CT26
Landcruiser		17201-30030		17201-30030	CT
Landcruiser	2L-T	17201-54090	54040	17201-54090	CT9

### Toyota Applications List

Vehicle Model	Engine Code	Vehicle Turbo No.	T/Hsg Casting No.	OE Turbo No.	Turbo Model
Landcruiser	HR588	35242014B		5316-970-6704	K16
Landcruiser	HR588	35242014B		5316-988-6704	K16
Landcruiser	13BT	17201-58010		17201-58010	CT26
Landcruiser	2C67LT	17201-54030	54010	17201-54030	CT20
Landcruiser	13BT	17201-58011		17201-58011	CT26
Landcruiser	1KZ-TE	17201-67010	67010	17201-67010	CT12B
Landcruiser	D4D	17201-30010		17201-30010	CT
Landcruiser 2.0 TD	HR488HT/2	35240031A		5324-970-6052	K24
Landcruiser 2.0 TD	HR488HT/2	35240031A		5324-970-6054	K24
Landcruiser 2.4L	LJ70/73	17201-54060	54030	17201-54060	CT20
Landcruiser 2.4L	LJ70	17201-54030	54010	17201-54030	CT20
Landcruiser 3.0L	KZJ90/95	17201-67040		17201-67040	CT12B
Landcruiser 3.0L	KZJ70 / 90/95	17201-67010	67010	17201-67010	CT12B
Landcruiser 4.2L '90-95	HDJ80/81	17201-17010	58020	17201-17010	CT26
Landcruiser 4.2L '95-98	HDJ82	17201-17030	17010	17201-17030	CT26
Landcruiser 4.2L '98 on	1HD-FTE	17201-17040	17020	17201-17040	CT20B
Landcruiser d-4d		17201-17050		17201-15050	GT2359V
Landcruiser d-4d	292F	17201-17050		17201-15050	GT2359V
Landcruiser D-4D	292F	17201-17050		724483-0003	GT2359V
Liteace/Townace	3CT	17201-64090		17201-64090	CT9
Liteace/Townace	2CT	17201-64050		17201-64050	CT12
Liteace/Townace	3CTE	17201-64190		17201-64190	CT9
Liteace/Townace	3CTE	17201-64130		17201-64130	CT9
Mega Cruiser	15BFT	17201-58040	58030	17201-58040	CT12B
Mega Cruiser	15BFTE	17201-58070		17201-58070	-
MR2	3SGTE	17201-74060	74040	17201-74060	CT26
MR2 2.0L '89-94	ST185	17201-74030	74020	17201-74030	CT26
Picnic	CLR30 1CD-FTV	17201-27030		17201-27030	
Picnic	3CTE	17201-64170		17201-64170	CT9
Picnic	CLM20	17201-27030		721164-0005	GT1749V
Previa	1CD-FTV	17201-27030		721164-0005	GT1749V
Previa	O21Y	17201-27030		721164-0003	GT1749V
Previa	1CD-FTV	17201-27030		721164-0003	GT1749V
Previa	O21Y	17201-27030-A		721164-0003	GT1749V
Previa	1CD-FTV	17201-27030		721164-0011	GT1749V
Previa	O21Y	1720127030A		721164-0003	GT1749V
Previa	1CD-FTV	17201-27030F		721164-0013	GT1749V
Previa	CLR30 1CD-FTV	17201-27030		17201-27030	
Previa	3CTE	17201-64170		17201-64170	CT9
Previa		17201-64030	64030	17201-64030	CT9
Previa (05-) 2.0L D	1CD-FTV	17201-27030F		721164-0013	GT1749V
Rav 4	1CD-FTV	17201-27040		721164-0004	GT1749V
Rav 4	1CD-FTV	17201-27040		721164-0010	GT1749V
Rav 4	1CD-FTV	17201-27040		721164-0012	GT1749V
Rav 4	1CD-FTV	17201-27040D		721164-0014	GT1749V
Rav 4	O21Y	17201-27040		721164-0004	GT1749V
Rav 4		17201-27021		17201-27021	RHF4H
Rav 4	O21Y	17201-27040		721164-0004	GT1749V
Rav 4	O21Y	17201-27040		721164-0004	GT1749V
Rav 4 (05-) 2.0L D	1CD-FTV	17201-27040D		721164-0014	GT1749V
Soarer	1JZGTE	17201-46010		17201-46010	-

### Toyota Applications List

Vehicle Model	Engine Code	Vehicle Turbo No.	T/Hsg Casting No.	OE Turbo No.	Turbo Model
Soarer	1GGTEU Twin Turbo	17201-70040		17201-70040	-
Soarer	1GGTEU Twin Turbo	17201-70030		17201-70030	-
Soarer	1GGTEU Twin Turbo	17201-70020		17201-70020	-
Soarer	7M-GTEU	17201-42011		17201-42011	-
Soarer	7MG-TEU	17201-42020		17201-42020	-
Supra	2JZGTE Twin Turbo	17208-46030	46030	17208-46030	CT20
Supra	1GGTEU Twin Turbo	17201-70040		17201-70040	-
Supra	2JZGTE	17201-46020		17201-46020	CT26
Supra	1JZGTE Twin Turbo	17201-46010		17201-46010	-
Supra	7M/GTE	17201-42020		17201-42020	CT26
Supra 3.0L '87-88	MA70	17201-42020	42010	17201-42020	CT26
Toyota		-		466172-0001	TB032
Toyota Fork Lift		17201-00280		49168-02400	TC05-07A
Yaris	1ND	17201-0N030B		766259-0001	GT1444V
Yaris	1ND	17201-0N010		751418-0002	GT1444V
Yaris	1ND	17201-0N030B		766259-0001	GT1444V
Yaris	1ND-TV	17201-33010		17201-33010	
Yaris	1ND	17201-0N010		751418-0002	GT1444V
Yaris MPV	1ND	17201-0N010		751418-0002	GT1444V
Yaris MPV	1ND	17201-0N030B		766259-0001	GT1444V
Yaris Verso	1ND-TV	17201-33010		17201-33010	CT



T: +44 (0) 1484 864867  
F: +44 (0) 1484 861116  
E: [info@melett.com](mailto:info@melett.com)



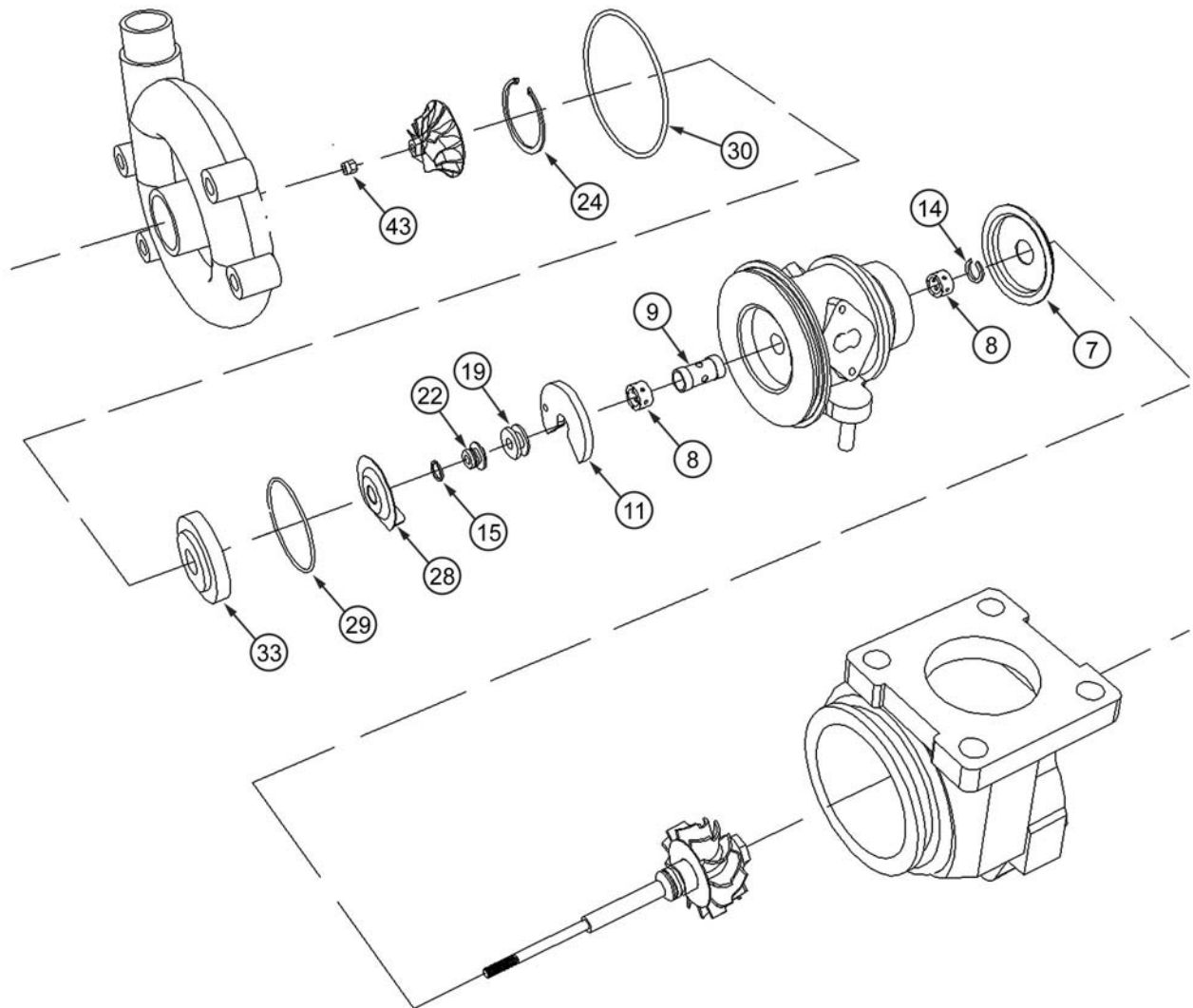
# Toyota

## CT9

### Type Turbos

# CT9 Type

## Common Service Parts



# CT9 Type

## Repair Parts & Service Kits

All parts are available for purchase as individual components  
 or in the following popular Repair Kits

Key	part number	Description	qty in Turbo	1500-309-750	1500-309-751
8	1500-309-100	Journal Bearing	2	2	2
11	1500-312-320	Thrust Bearing	1	1	1
14	1500-312-160	Piston Ring Turbine End	1	1	1
15	1500-312-170	Piston Ring Comp End	1	1	1
19	1500-309-240	Thrust Collar	1		1
22	1500-309-200	Thrust Flinger	1		1
29	1500-309-150	O Ring (Seal Plate)	1	1	1
30	1500-312-155	O Ring (Comp Cover)	1	1	1
33	1500-309-300	Seal Plate	1		1
43	1500-313-351	Shaft Nut (M5x0.5 LHT)	1	1	1
-	1500-320-790	Gasket CT20 Oil Inlet / outlet	1	1	1
-	1500-320-791	Gasket CT20 Water Inlet / Outlet	2	2	2

### Description of Repair Kits available

- 1500-309-750 Repair Kit (Minor) CT9  
 1500-309-751 Repair Kit (Major) CT9

### Oversize Repair Parts Available

#### Journal Bearings

CT9		
Standard	Standard	1500-309-100
+ 0.005"	- 0.005"	1500-309-110
+ 0.005"	Standard	1500-309-114
Standard	- 0.005"	1500-309-117
+ 0.010"	Standard	1500-309-124

#### Piston Rings

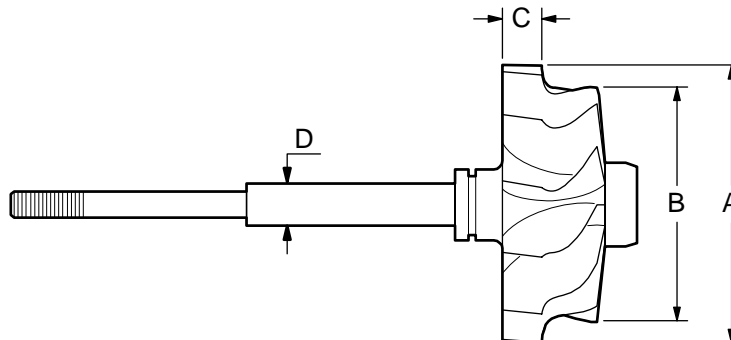
CT9/12/12B		Turbine	Compressor
OD	Width		
Standard	Standard	1500-312-160	
+ 0.010"	Standard	1500-312-180	
Standard	+ 0.010"	1500-312-181	
Standard	Standard		1500-312-170

# CT9 Type

## Major Replacement Parts

Melett currently offers the following major replacement parts for the CT9 Previa turbo. Dimensions given are for identification purposes only.

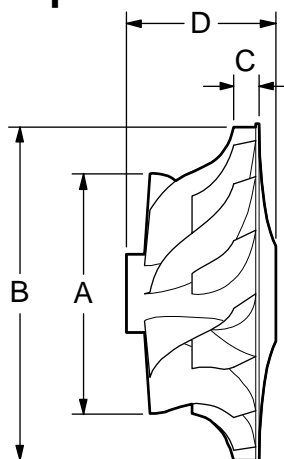
### Shaft & Wheel



OE Number	Melett Part No.	Inducer Diameter ØA	Exducer Diameter ØB	Tip Height C	Journal Bearing ØD	Comp. Wheel Bore ØE	Blades	Type of Shaft
17201-64030	1500-309-435	46.00	36.00	7	7.50	5.10	8	Straight

Melett's fully qualified Engineers are available to answer any technical enquiry regarding limits, tolerances, and turbo set-up configurations. Email: Engineer@melett.com

### Compressor Wheel



OE Number	Melett Part No.	Inducer Diameter ØA	Exducer Diameter ØB	Tip Height C	Total Height D	Blades	Flatback/ Superback /trim	Shaft Bore Ø
Not Known	1500-309-400	34.00	48.10	4.92	23.000	4/4	Superback	5.10





T: +44 (0) 1484 864867  
F: +44 (0) 1484 861116  
E: [info@melett.com](mailto:info@melett.com)



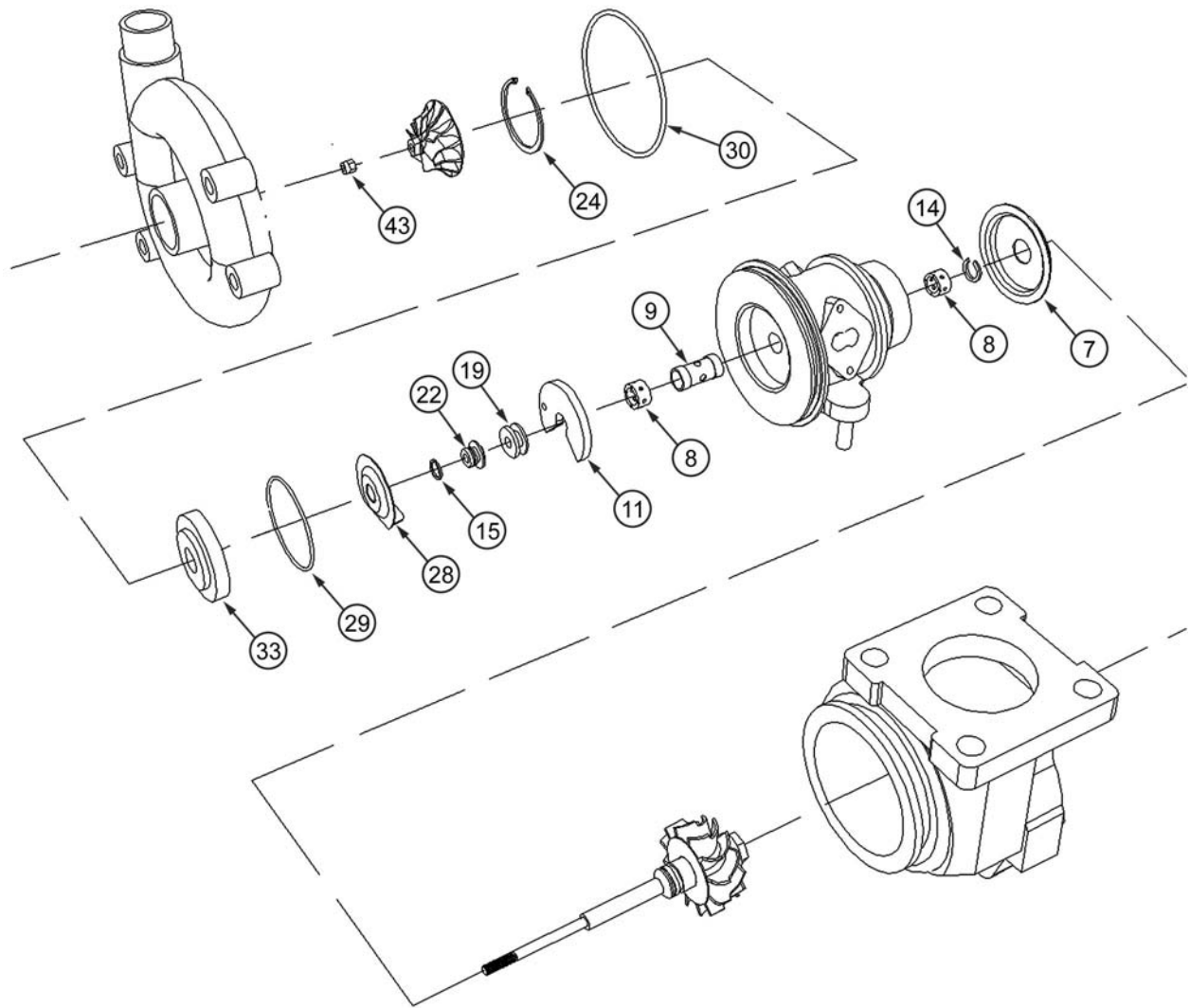
# Toyota

## CT12

### Type Turbos

# CT12 Type

## Common Service Parts



# CT12 Type

## Repair Parts & Service Kits

All parts are available for purchase as individual components  
 or in the following popular Repair Kit

Key	part number	Description	qty in Turbo	1500-312-750
8	<b>1500-312-100</b>	Bearing CT12 Wide Std OD/Std	2	2
11	<b>1500-312-320</b>	Thrust Bearing CT9 / CT12 (270	1	1
14	<b>1500-312-160</b>	Piston Ring (CT12) Turbine End	1	1
15	<b>1500-312-170</b>	Piston Ring (CT12) Comp End	1	1
29	<b>1500-309-150</b>	O Ring (CT9 Seal Plate)	1	1
30	<b>1500-312-155</b>	O Ring (CT12 Comp Cover)	1	1
43	<b>1500-312-351</b>	Shaft Nut CT12 (M5.5 x0.5 LHT)	1	1
-	<b>1500-320-790</b>	Gasket CT20 Oil Inlet / outlet	1	1
-	<b>1500-320-791</b>	Gasket CT20 Water Inlet / Outlet	2	2

## Description of Repair Kits available

**1500-312-750** Repair Kit (Minor) CT12 (Wide

## Oversize Repair Parts Available

### Journal Bearings

CT9		
Standard	Standard	<b>1500-309-100</b>
+ 0.005"	- 0.005"	<b>1500-309-110</b>
+ 0.005"	Standard	<b>1500-309-114</b>
Standard	- 0.005"	<b>1500-309-117</b>
+ 0.010"	Standard	<b>1500-309-124</b>

### Piston Rings

CT9/12/12B		Turbine	Compressor
OD	Width		
Standard	Standard	<b>1500-312-160</b>	
+ 0.010"	Standard	<b>1500-312-180</b>	
Standard	+ 0.010"	<b>1500-312-181</b>	
Standard	Standard		<b>1500-312-170</b>



T: +44 (0) 1484 864867  
F: +44 (0) 1484 861116  
E: [info@melett.com](mailto:info@melett.com)



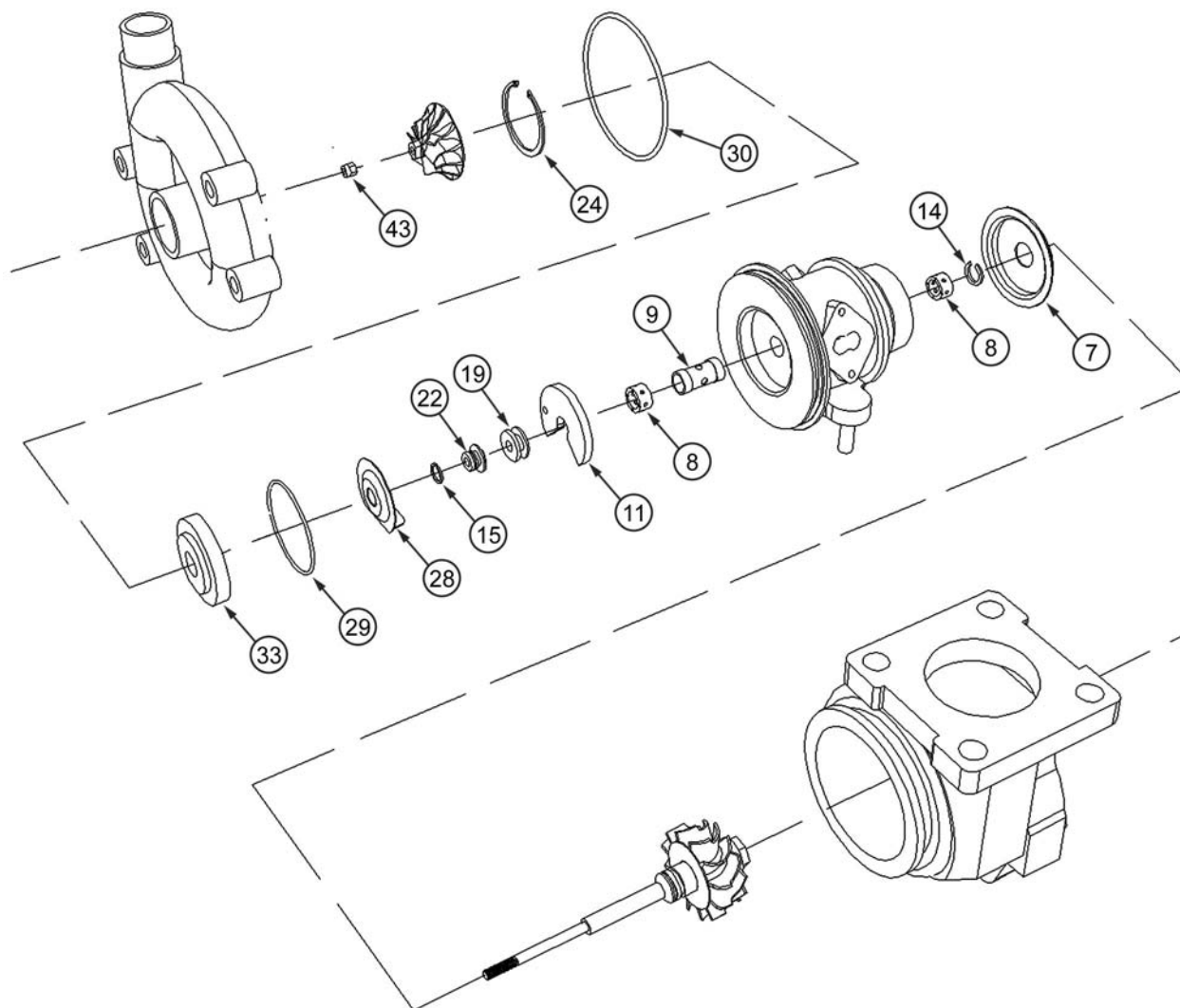
# Toyota

## **CT12B**

### Type Turbos

# CT12B Type

## Common Service Parts



# CT12B Type

## Repair Parts & Service Kits

All parts are available for purchase as individual components or in the following popular Repair Kits

Key	part number	Description	qty in Turbo	1500-313-751	1500-313-752
8	1500-313-100	Journal Bearing	2	2	2
12	1500-313-320	Thrust Bearing 360	1	1	1
14	1500-312-160	Piston Ring Turbine End	1	1	1
15	1500-312-170	Piston Ring Comp End	1	1	1
19	1500-313-240	Thrust Collar	1		1
22	1500-313-200	Thrust Flinger	1		1
23	1500-312-140	Snap Ring	3	3	3
29	1500-320-150	O Ring (Seal Plate)	1	1	1
30	1500-313-155	O Ring (Comp Cover)	1	1	1
33	1500-313-300	Seal Plate	1		1
43	1500-313-351	Shaft Nut (M5x0.5 LHT)	1	1	1
-	1500-320-790	Gasket CT20 Oil Inlet / outlet	1	1	1
-	1500-320-791	Gasket CT20 Water Inlet / Outlet	2	2	2

### Description of Repair Kits available

- 1500-313-751 Repair Kit (Minor) CT12B  
 1500-313-752 Repair Kit (Major) CT12B

### Oversize Repair Parts Available

#### Journal Bearings

CT9		
Standard	Standard	1500-309-100
+ 0.005"	- 0.005"	1500-309-110
+ 0.005"	Standard	1500-309-114
Standard	- 0.005"	1500-309-117
+ 0.010"	Standard	1500-309-124

#### Piston Rings

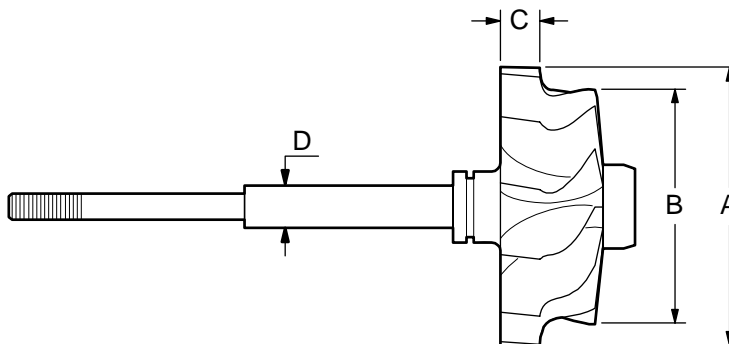
CT9/12/12B		Turbine	Compressor
OD	Width		
Standard	Standard	1500-312-160	
+ 0.010"	Standard	1500-312-180	
Standard	+ 0.010"	1500-312-181	
Standard	Standard		1500-312-170

# CT12B Type

## Major Replacement Parts

Melett currently offers the following major replacement parts for the CT12B turbo. Dimensions given are for identification purposes only.

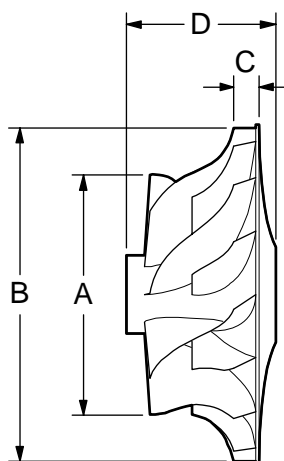
### Shaft & Wheel



OE Number	Melett Part No.	Inducer Diameter ØA	Exducer Diameter ØB	Tip Height C	Journal Bearing ØD	Comp. Wheel Bore ØE	Blades	Type of Shaft
Not Known	1500-313-435	52.00	44.00	6.75	7.50	5.10	9	Straight

Melett's fully qualified Engineers are available to answer any technical enquiry regarding limits, tolerances, and turbo set-up configurations. Email: Engineer@melett.com

### Compressor Wheel



OE Number	Melett Part No.	Inducer Diameter ØA	Exducer Diameter ØB	Tip Height C	Total Height D	Blades	Flatback/ Superback /trim	Shaft Bore Ø
Not Known	1500-313-400	43.10	58.00	5.60	28.300	6/6	Superback	5.07

# CT12B Type

## Major Replacement Parts

### Turbine Housing



Make	Model	Engine Spec	To fit OE Turbo...	Weight	Melett Part No.
Toyota	Landcruiser 3.0L D	KZJ 67	17201-67010	2.7Kg	1500-313-820





T: +44 (0) 1484 864867  
F: +44 (0) 1484 861116  
E: [info@melett.com](mailto:info@melett.com)



# Toyota

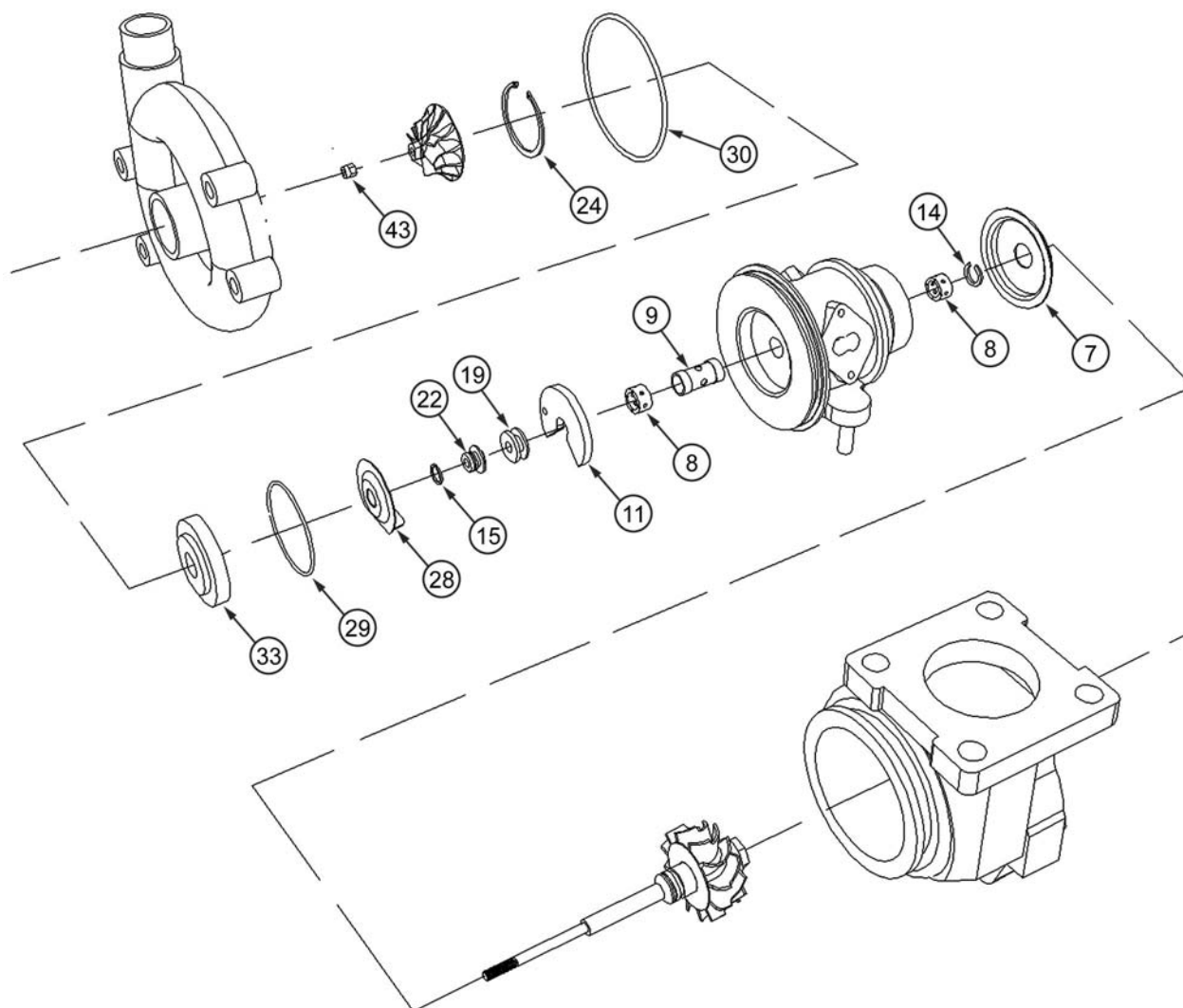
## CT20

### Type Turbos

# CT20 Type

## Dynamic and Carbon Seal

### Component Parts Common



# CT20 Type Dynamic and Carbon Seal

## Repair Parts & Service Kits

*All parts are available for purchase as individual components or in the following popular Repair Kits*

Key	part number	Description	qty in Turbo	1500-320-750	1500-320-751	1500-320-752	1500-320-753	1500-320-754	1500-320-760
8	1500-320-100	Journal Bearing	2	2	2	2	2	2	2
9	1500-320-290	Bearing Spacer	1						
11	1500-320-320	Thrust Bearing	1	1	1	1	1	1	
14	1500-320-160	Piston Ring Turbine	1	1	1	1	1	1	1
15	1500-320-170	Piston Ring Compressor	1	1			1		
19	1500-320-200	Thrust Collar	1			1	1	1	1
21	1500-320-220	Thrust Spacer Carbon	1			1		1	1
22	1500-320-221	Thrust Flinger Dynamic	1				1		
24	1500-326-145	Seal Plate Retaining Ring	1						
28	1500-320-310	Oil Deflector	1						
29	1500-320-150	O Ring (Seal Plate)	1	1	1	1	1	1	1
30	1500-320-155	O Ring (CT20 C/Cover)	1	1	1	1	1	1	1
30	1500-320-156	O Ring (CT20 C/Cover)	1			1			1
33	1500-320-300	Seal Plate Assy Carbon 6.1mm Depth	1		1	1			1
34	1500-320-301	Seal Plate Assy Dynamic	1				1		
34	1500-320-302	Seal Plate Assy Carbon 7.57mm Depth (for turbo 54030)	1					1	
43	1500-320-351	Shaft Nut LHT	1	1	1	1	1	1	1
-	1500-320-790	Gasket CT20 Oil Inlet / outlet	1	1	1	1	1	1	1
-	1500-320-791	Gasket CT20 Water Inlet / Outlet	2	2	2	2	2	2	2

### Description of Repair Kits available

<b>1500-320-750</b>	Repair Kit (Minor) CT20 Dynamic
<b>1500-320-751</b>	Repair Kit (Minor) CT20 Carbon Seal
<b>1500-320-752</b>	Repair Kit (Major) CT20 Carbon Seal
<b>1500-320-753</b>	Repair Kit (Major) CT20 Dynamic
<b>1500-320-754</b>	Repair Kit (Major) CT20 Carbon Seal (54030 Only)
<b>1500-320-760</b>	Repair Kit CT20 (Carbon Seal - No thrust bearing)

*Notes:*

1) CT20 and CT26 repair kits are identical except for the Comp Cover O-ring – USE **1500-326-754** kit to repair both CT20/CT26 dynamic models from one kit.

2) For Pre 1990 CT20 Landcruiser 2.4L (17201-54030), the seal plate flange is deeper (**Part No. 1500-320-302**) and the O-ring groove is Ø114mm in the comp cover rather than Bearing housing. Use kit **1500-320-754**.

# CT20 Type

## Oversize Repair Parts Available

### Journal Bearings

CT20/26		
Standard	Standard	<b>1500-320-100</b>
+ 0.005"	- 0.005"	<b>1500-320-110</b>
+ 0.005"	Standard	<b>1500-320-114</b>
Standard	- 0.005"	<b>1500-320-117</b>
+ 0.010"	- 0.010"	<b>1500-320-120</b>
+ 0.010"	Standard	<b>1500-320-124</b>
Standard	- 0.010"	<b>1500-320-127</b>
+ 0.005"	- 0.010"	<b>1500-320-130</b>

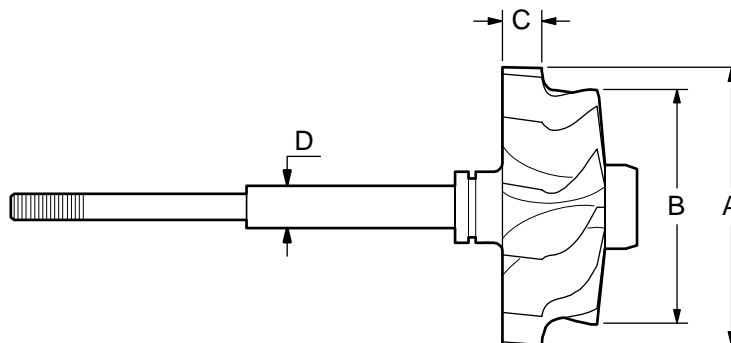
### Piston Rings

CT20/26		Turbine	Compressor
OD	Width		
Standard	Standard	<b>1500-320-160</b>	
+ 0.010"	Standard	<b>1500-320-180</b>	
Standard	+ 0.010"	<b>1500-320-181</b>	
+ 0.010"	+ 0.010"	<b>1500-320-182</b>	
Standard	Standard		<b>1500-320-170</b>

# CT20 Type

## Major Replacement Parts

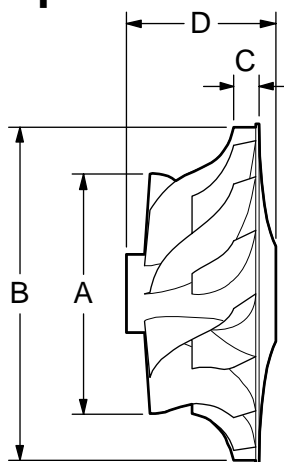
### Shaft & Wheel



OE Number	Melett Part No.	Inducer Diameter ØA	Exducer Diameter ØB	Tip Height C	Journal Bearing ØD	Comp. Wheel Bore ØE	Blades	Type of Shaft
Not Known	<b>1500-320-435</b>	59.75	48.00	10.2	10.00	6.50	11	Straight
Not Known	<b>1500-320-436</b>	59.75	44.00	10.2	10.00	6.50	11	Straight

Melett's fully qualified Engineers are available to answer any technical enquiry regarding limits, tolerances, and turbo set-up configurations.  
 Email: [Engineer@melett.com](mailto:Engineer@melett.com)

### Compressor Wheel



OE Number	Melett Part No.	Inducer Diameter ØA	Exducer Diameter ØB	Tip Height C	Total Height D	Blades	Flatback/ Superback /trim	Shaft Bore Ø
Not Known	<b>1500-320-400</b>	36.10	56.90	3.20	24.300	12.00	Relieved	6.50
Not Known	<b>1500-320-401</b>	39.60	56.90	3.20	24.300	12.00	Relieved	6.50

# CT20 Type

## Major Replacement Parts – Detail

### Replacement Turbine Housings



Make	Model	Year	To fit turbo...	OE Housing Identification No.	Detail	Melett Number
Toyota	Landcruiser 2.4L LJ70	'84-'90	17201-54030	54010	Round entry	<b>1500-320-820</b>
Toyota	Turbine Hsg CT20 (Sq Ent) (Act. arm inboard)	'90-'98	17201-54060	54030	Square entry	<b>1500-320-821</b>
Toyota	Turbine Hsg CT20 (Sq Ent) (Act. arm outboard)	'90-'98	17201-54060	54030	Square entry	<b>1500-320-822</b>

*The differences between 1500-320-821 and 1500-320-822 actuator arms are shown below*



1500-320-821



1500-320-822



T: +44 (0) 1484 864867  
F: +44 (0) 1484 861116  
E: [info@melett.com](mailto:info@melett.com)



# Toyota

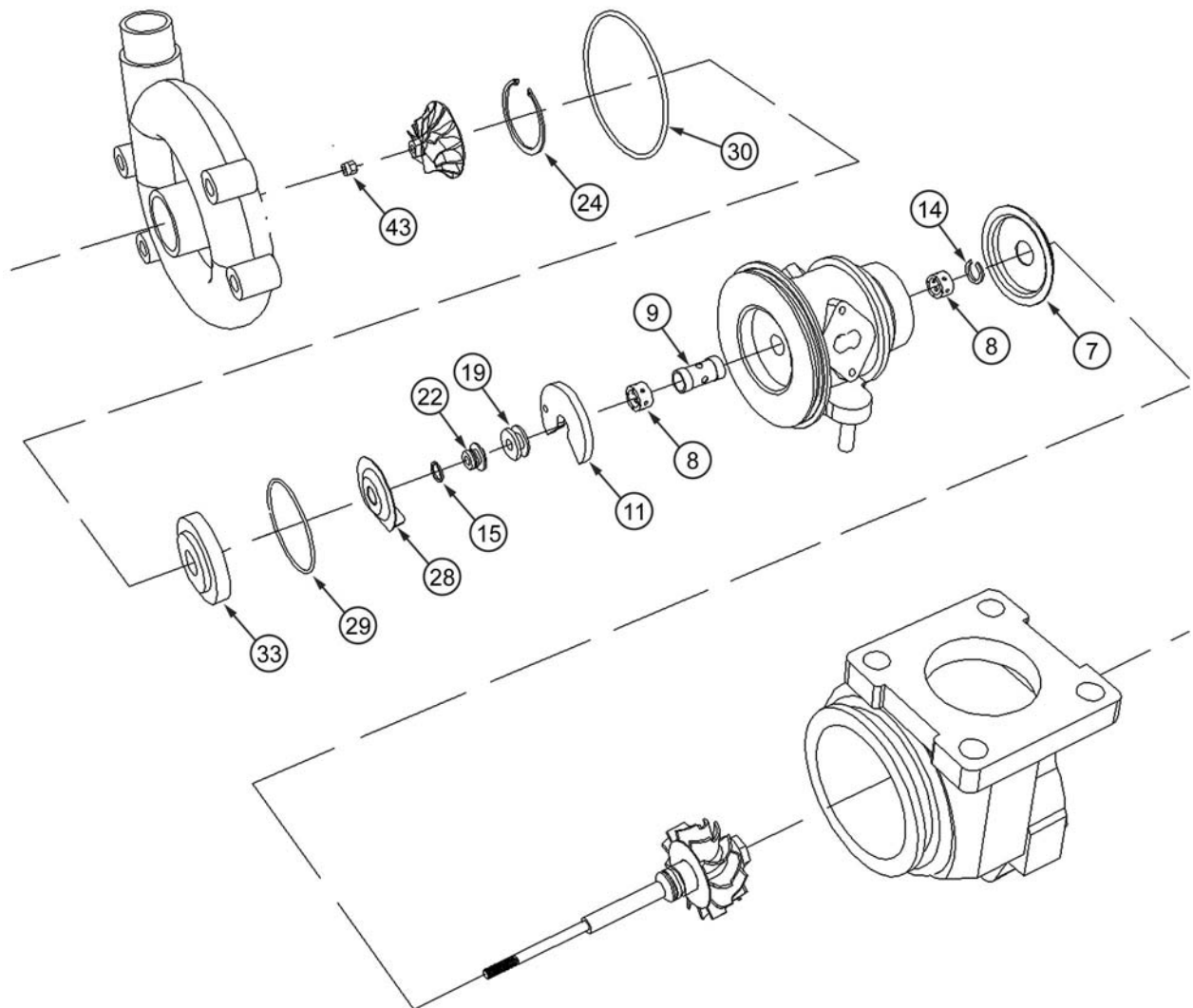
## **CT26 Small**

### Type Turbos

Also Known as CT20B

# CT26 Small Type

## Component Parts Common





# CT26 Small Type

## Repair Parts & Service Kits

All parts are available for purchase as individual components or in the following popular Repair Kits

Key	part number	Description	qty in Turbo	1500-322-750
8	1500-322-100	Journal Bearing CT20B	2	2
12	1500-313-320	Thrust Bearing	1	1
14	1500-312-160	Piston Ring Turbine End	1	1
15	1500-312-170	Piston Ring Compressor End	1	1
23	1500-309-140	Circlip (J-Brg Retaining Ring)	3	3
29	1401-405-150	O Ring (Seal Plate)	1	1
43	1500-312-351	Shaft Nut (M5.5x0.5 LHT)	1	1

## Description of Repair Kits available

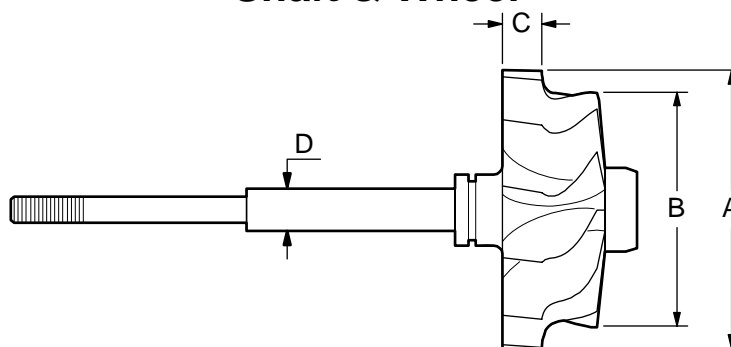
**1500-322-750** Repair Kit CT20B (repair turbo 17040)

## Oversize Repair Parts Available

### Piston Rings

Toyota			
CT9/12/12B		Turbine	Compressor
OD	Width		
Standard	Standard	1500-312-160	
+ 0.010"	Standard	1500-312-180	
Standard	+ 0.010"	1500-312-181	
Standard	Standard		1500-312-170

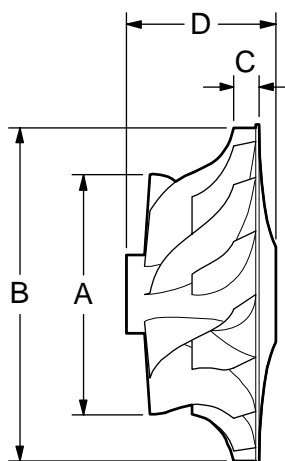
## CT26 Small Type Major Replacement Parts Shaft & Wheel



OE Number	Melett Part No.	Inducer Diameter ØA	Exducer Diameter ØB	Tip Height C	Journal Bearing ØD	Comp. Wheel Bore ØE	Blades	Type of Shaft
Not Known	<b>1500-326-436</b>	60.00	48.00	8	8.50	5.70	10	Straight
Not Known	<b>1500-326-438</b>	60.00	50.00	11.7	8.50	5.70	10	Straight

*Melett's fully qualified Engineers are available to answer any technical enquiry regarding limits, tolerances, and turbo set-up configurations. Email: Engineer@melett.com*

## Compressor Wheel



OE Number	Melett Part No.	Inducer Diameter ØA	Exducer Diameter ØB	Tip Height C	Total Height D	Blades	Flatback/ Superback /trim	Shaft Bore Ø
Not Known	<b>1500-326-402</b>	46.00	65.00	5.30	30.000	5/5	Superback	5.70



T: +44 (0) 1484 864867  
F: +44 (0) 1484 861116  
E: [info@melett.com](mailto:info@melett.com)



# Toyota

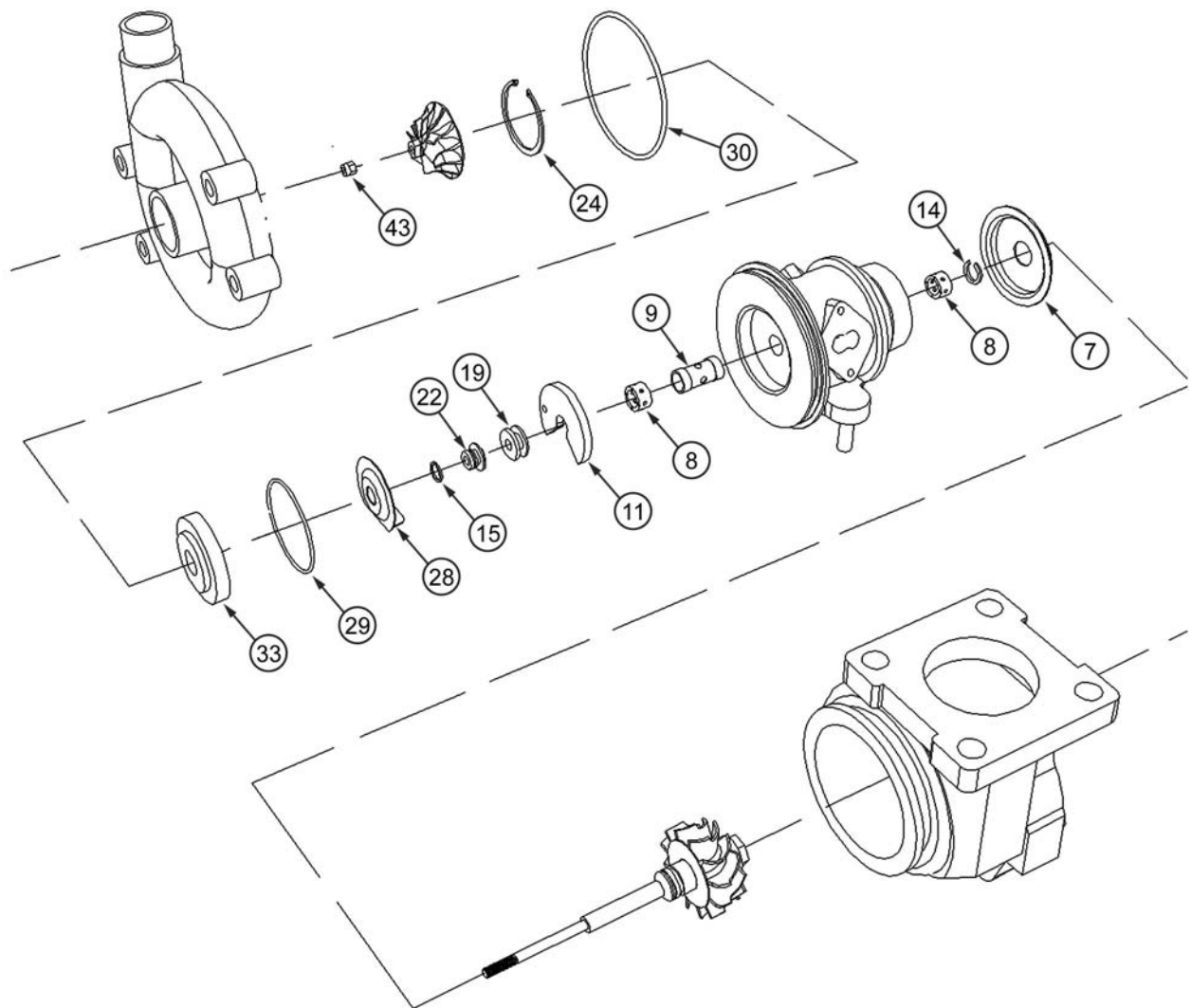
## CT26

### Type Turbos

# CT26 Type

## Dynamic & Carbon Seal

### Component Parts Common



# CT26 Type Dynamic & Carbon Seal

## Repair Parts & Service Kits

All parts are available for purchase as individual components or in the following popular Repair Kits

Key	part number	Description	qty in Turbo	1500-326-750	1500-326-751	1500-326-752	1500-326-753	1500-326-754	1500-326-755
8	1500-320-100	Journal Bearing	2	2	2	2	2	2	2
11	1500-320-320	Thrust Bearing	1	1	1	1	1	1	1
14	1500-320-160	Piston Ring Turbine	1	1	1	1	1	1	1
15	1500-320-170	Piston Ring Comp End	1	1			1	1	
19	1500-320-200	Thrust Collar	1			1	1	1	1
21	1500-320-220	Thrust Spacer Carbon	1			1		1	1
22	1500-320-221	Thrust Flinger Dynamic	1				1	1	
24	1500-326-145	Seal Plate Retaining Ring	1						
28	1500-320-310	Oil Deflector	1						
29	1500-320-150	O Ring (Seal Plate)	1	1	1	1	1	1	1
30	1500-320-155	O Ring (CT20 C/Cover)	1					1	1
30	1500-326-155	O Ring (CT26 C/Cover)	1	1	1	1	1	1	1
33	1500-320-301	Seal Plate Dynamic	1				1	1	
34	1500-320-300	Seal Plate Assy Carbon 6.1mm Depth	1		1	1			1
43	1500-320-351	Shaft Nut LHT	1	1	1	1	1	1	1
-	1500-320-790	Gasket CT20 Oil Inlet / outlet	1	1	1	1	1	1	1
-	1500-320-791	Gasket CT20 Water Inlet / Outlet	2	2	2	2	2	2	2

## Description of Repair Kits available

<b>1500-326-750</b>	Repair Kit (Minor) CT26 Dynamic
<b>1500-326-751</b>	Repair Kit (Minor) CT26 Carbon Seal
<b>1500-326-752</b>	Repair Kit (Major) CT26 Carbon Seal
<b>1500-326-753</b>	Repair Kit (Major) CT26 Dynamic
<b>1500-326-754</b>	Repair Kit (Major) CT20/26 Dynamic
<b>1500-326-755</b>	Repair Kit (Major) CT20/26 Carbon Seal

# CT26 Type Dynamic & Carbon Seal

## Oversize Repair Parts Available

### Journal Bearings

CT20/26		
Standard	Standard	<b>1500-320-100</b>
+ 0.005"	- 0.005"	<b>1500-320-110</b>
+ 0.005"	Standard	<b>1500-320-114</b>
Standard	- 0.005"	<b>1500-320-117</b>
+ 0.010"	- 0.010"	<b>1500-320-120</b>
+ 0.010"	Standard	<b>1500-320-124</b>
Standard	- 0.010"	<b>1500-320-127</b>
+ 0.005"	- 0.010"	<b>1500-320-130</b>

### Piston Rings

CT20/26		Turbine	Compressor
OD	Width		
Standard	Standard	<b>1500-320-160</b>	
+ 0.010"	Standard	<b>1500-320-180</b>	
Standard	+ 0.010"	<b>1500-320-181</b>	
+ 0.010"	+ 0.010"	<b>1500-320-182</b>	
Standard	Standard		<b>1500-320-170</b>

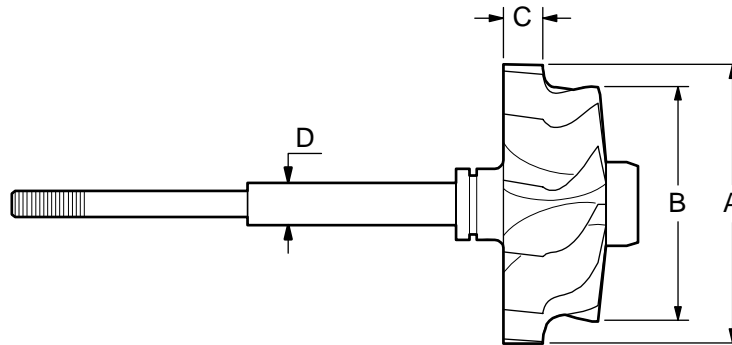
### Bearing Spacer

Oversize's Available	Part Number
Standard OD	<b>1500-326-290</b>
+0.005" OD	<b>1500-326-291</b>
+0.010" OD	<b>1500-326-292</b>

# CT26 Type

## Major Replacement Parts

### Shaft & Wheel

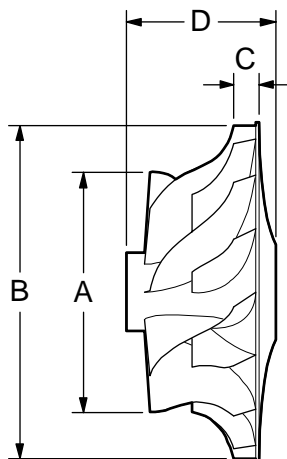


Application	Melett Part No.	Inducer Diameter ØA	Exducer Diameter ØB	Tip Height C	Journal Bearing ØD	Comp. Wheel Bore ØE	Blades
<b>17201-42020</b> Supra '87-'88 <b>17201-17010/30</b> Landcruiser '89-'99 <b>17201-74010/20/30</b> Celica (165/185) '87-'94 <b>17201-42060</b> MR2 '89-'99	<b>1500-326-437</b>	68.00	52.00	11.6	10.00	6.50	10

# CT26 Type

## Major Replacement Parts

### Compressor Wheel



Application	Melett Part No.	Inducer Diameter ØA	Exducer Diameter ØB	Tip Height C	Total Height D	Blades	Flatback/ Superback /trim	Shaft Bore Ø
17201-17010/30	1500-326-401	42.00	65.00	4.70	27.000	5\5	Relieved	6.50
17201-42020	1500-326-400	45.50	65.00	5.00	27.500	5\5	Relieved	6.50
17201-42060	1500-326-401	42.00	65.00	4.70	27.000	5\5	Relieved	6.50
17201-74010/20/30	1500-326-401	42.00	65.00	4.70	27.000	5\5	Relieved	6.50

## Bearing Housing & Heat Shield

Melett Number	Description
1500-326-450	CT26 Bearing Housing (separate heat shield) Water Cooled
1500-326-340	CT26 Heat Shield



# CT26 Type

## Major Replacement Parts

### Turbine Housings



Make	Model	Year	To fit turbo...	OE Housing Identification No.	Detail	Melett Number
Toyota	Landcruiser 4.2L	90-01	17201-17010	58020	Round Entry	<b>1500-326-820</b>
Toyota	Supra 3.0L	87-88	17201-42020	42010	Round Entry	<b>1500-326-821</b>
Toyota	Celica 2.0L	88-90	17201-74010	74010	Round Entry	<b>1500-326-822</b>