



T: +44 (0) 1484 864867
F: +44 (0) 1484 861116
E: info@melett.com



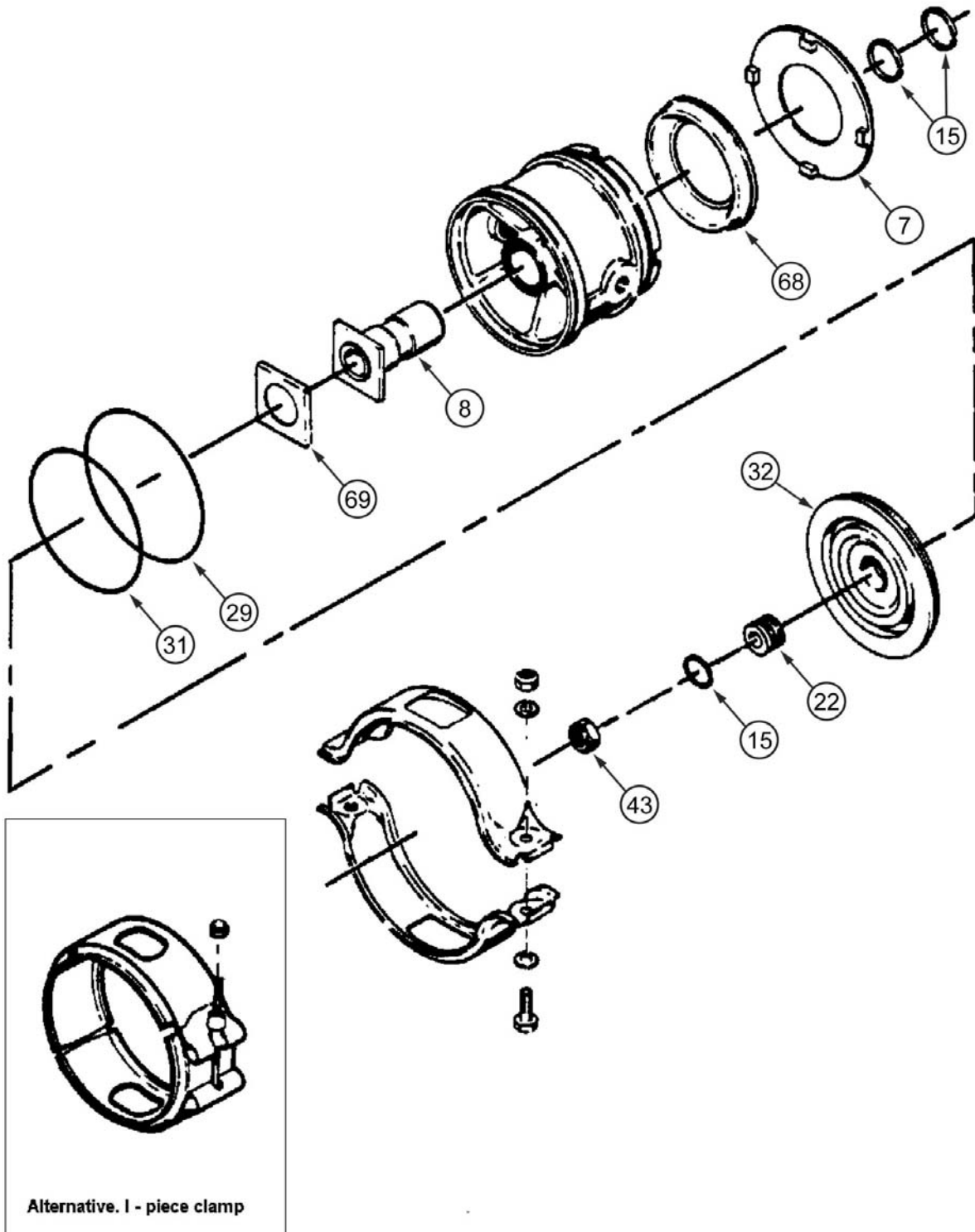
Cummins

T/ST/VT46/50

Type Turbos

T/ST/VT46/50 Type

Common Service Parts



Alternative. 1 - piece clamp

T/ST/VT46/50 Type

Repair Kits and Service Parts

All parts are available for purchase as individual components
 or in the following popular Repair Kits

Key	part number	Description	qty in Turbo	1200-050-750	1200-050-751
8	1200-050-100	Journal Bearing	1	1	
14	1200-050-160	Piston Ring Turbine End	2	2	2
15	1200-050-170	Piston Ring Comp End	1	1	1
22	1200-050-200	Thrust Spacer, Superback			
29	1200-050-150	O Ring (Seal Plate)	1	1	1
30	1200-050-156	O Ring (C/Hsg)	1	1	1
31	1200-050-155	O Ring (Brg Hsg)	1	1	1
32	1200-050-300	Seal Plate, Superback			
40	1200-050-600	Bolt (Clamp plate)	2	2	2
43	1200-050-350	Shaft Nut (Locking)	1	1	1
44	1200-050-640	Lock nut V clamp	2	2	2
52	1200-050-630	Washer (light), Zinc Clear	4	4	4
68	1200-050-280	Heat Packing	1	1	1
69	1200-050-281	Fiber Insert	1	1	1
-	1900-000-001	Gasket (Turb. 4 bolt)	1	1	1

Description of Repair Kits Available

- 1200-050-750** Repair Kit ST-VT 50 to replace 3003853
1200-050-751 Repair Kit ST-VT 50 to replace 3801096

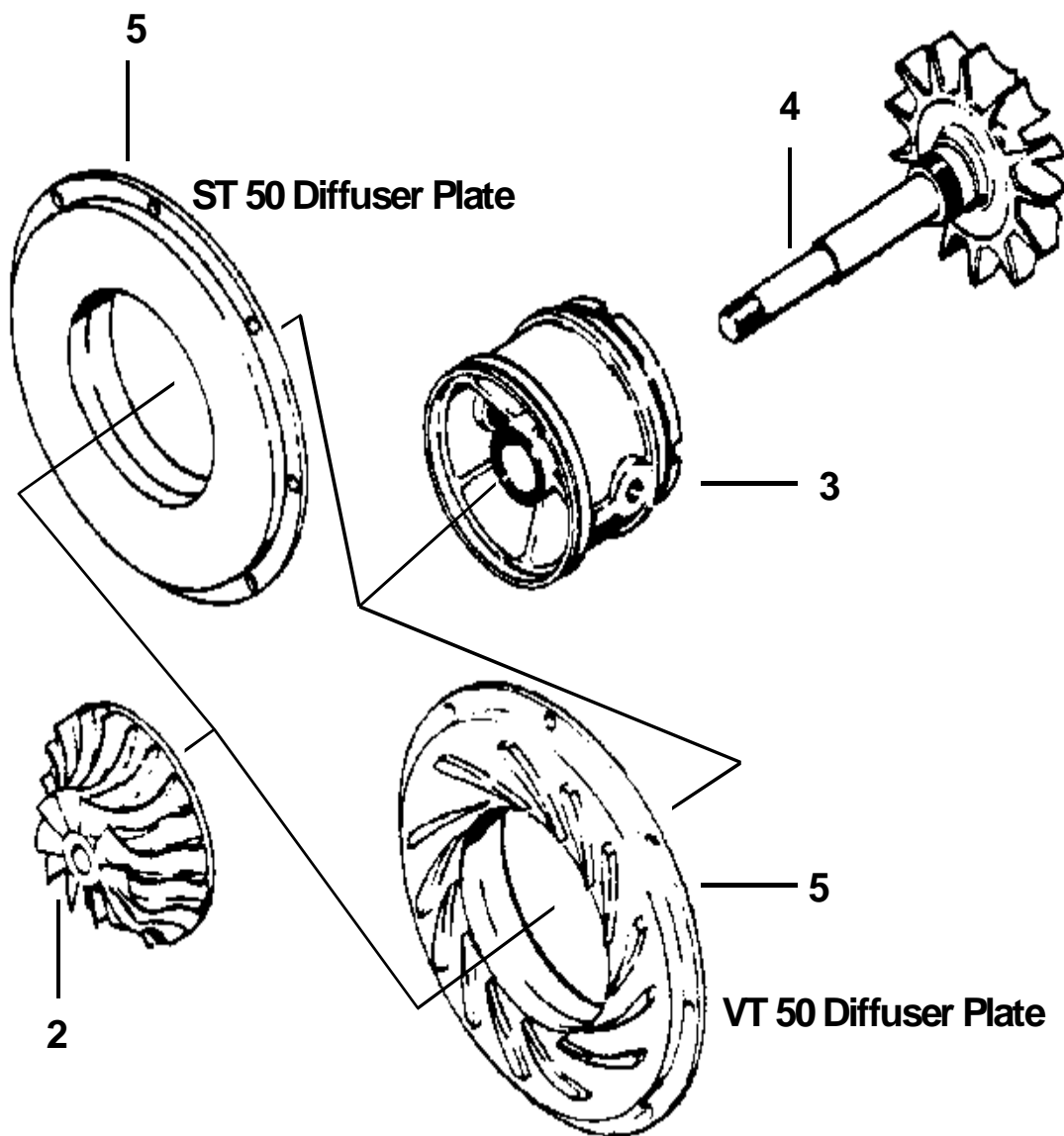
Oversize Repair Parts

Journal Bearing

Cummins ST46/50		
Standard	Standard	1200-050-100
Standard	- 0.010"	1200-050-127

T/ST/VT46/50 Type

Major Replacement Parts



T/ST/VT46/50 Type

Major Replacement Parts

The following major replacement parts are available from stock.

CUMMINS Part Number	Melett Part Number	Description
216804 216805	1200-050-300	Seal Plate T50
171570	1200-050-340	Heat Shield T50
3002731	1200-050-428	Compressor Wheel T50
3025390	1200-050-436	Shaft & Wheel T50
3038745 202376 202392	1200-050-450	Bearing Housing T50



T: +44 (0) 1484 864867
F: +44 (0) 1484 861116
E: info@melett.com





T: +44 (0) 1484 864867
F: +44 (0) 1484 861116
E: info@melett.com



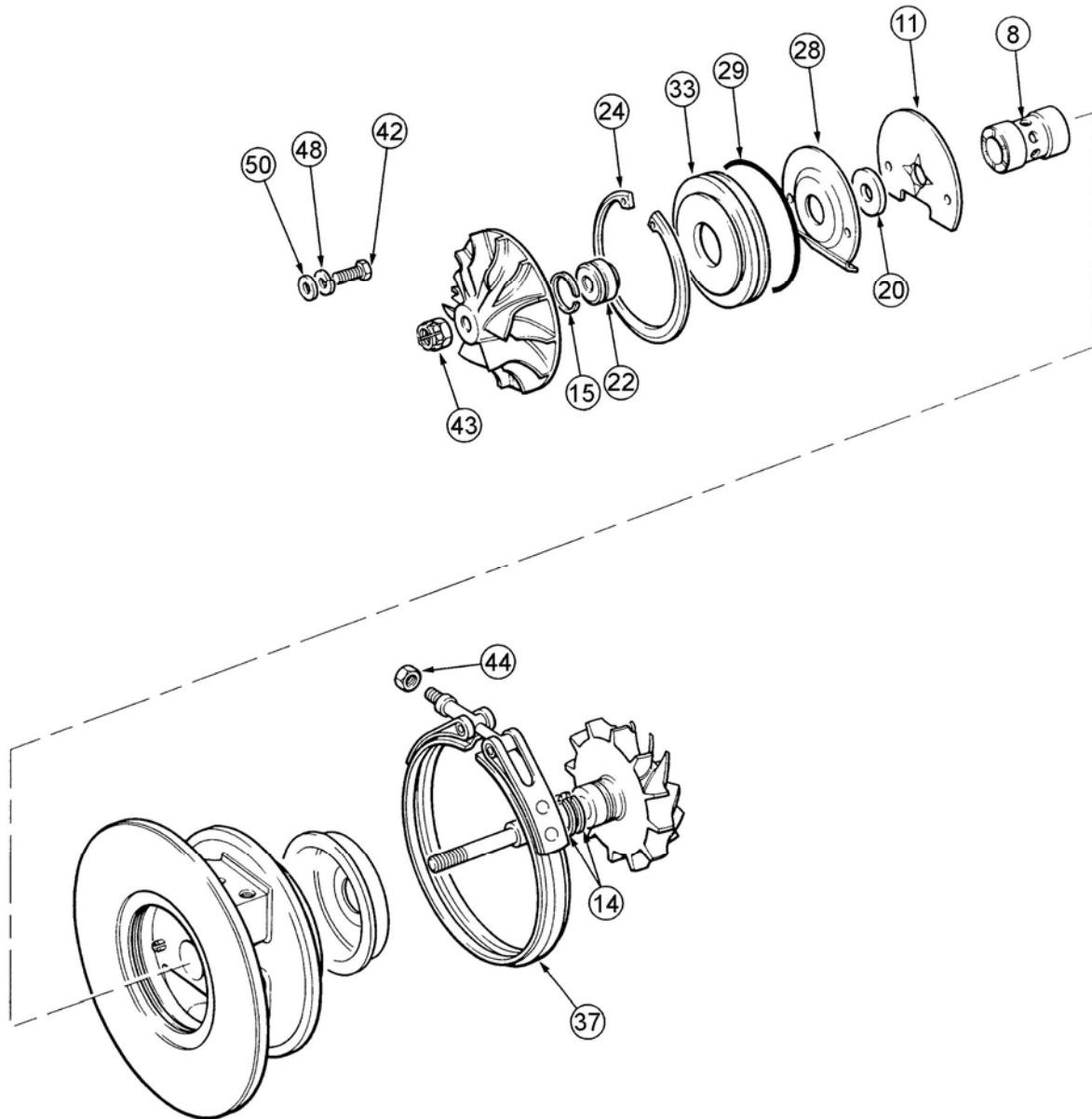
Holset

3LD

Type Turbos

3LD Type

Common Service Parts



3LD Type

Repair Kits and Service Parts

All parts are available for purchase as individual components or in the following popular Repair Kits

Key	part number	Description	qty in Turbo	1150-403-750	1150-403-751	1150-403-754
8	1150-403-100	Journal Bearing	1	1	1	1
11	1250-403-320	Thrust Bearing	1	1	1	1
14	1150-400-160	Piston Ring (0.885")	1		1	2
14/15	1150-400-170	Piston Ring (0.875")	3	3	1	3
20	1250-403-240	Thrust Washer 3LD	1	1	1	1
22	1250-403-200	Flinger	1			
24	1250-403-140	Retaining Ring (Insert)	1	1	1	1
28	1250-403-310	Oil Deflector	1			
29	1250-030-150	O Ring (Insert 65mm)	1	1	1	1
33	1250-403-300	Insert	1			
37	1250-403-645	"V" Clamp	1			
42	1250-403-561	Bolt UNC	8			
43	1100-120-350	Shaft Nut T12 (5/16-24)	1	1	1	1
44	1100-120-645	Lock Nut (V-Band)	1			1
48	1301-027-580	Spring Washer (C/Hsg)	8			8
50	N/A	Washer	8			

Description of Repair Kits available

- 1150-403-750 Repair Kit to replace 3545658 (Smooth Bore)
- 1150-403-751 Repair Kit to replace 3545657 (Step Bore)
- 1150-403-754 Repair Kit (Major Universal) 3LD

For oversize Journal Bearings and piston rings, see page 10

3LD Type

Oversize Repair Parts

Journal Bearings

Standard	Standard	1150-403-100
+ 0.010"	- 0.010"	1150-403-120
+ 0.010"	Standard	1150-403-124
Standard	- 0.010"	1150-403-127

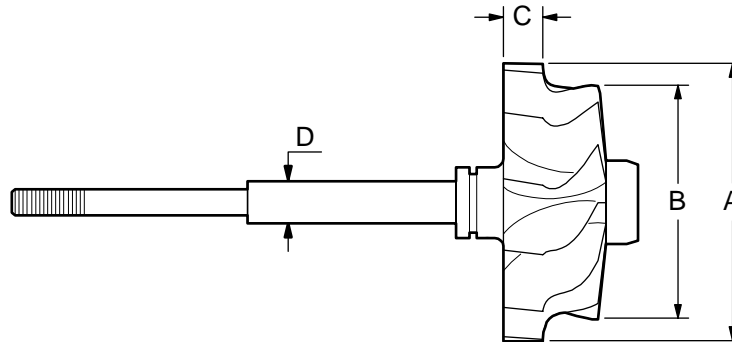
Piston Rings

3LD		Turbine	Compressor
OD	Width		
Standard	Standard	1150-400-170	
Standard	Standard	1150-400-160	
+ 0.010"	Standard	1150-400-180	
+ 0.010"	Standard	1150-400-181	
Standard	+ 0.010"	1150-400-185	
Standard	+ 0.010"	1150-400-186	
Standard	Standard		1150-400-170
Standard	+ 0.010"		1150-400-186
Standard	Standard		1153-303-170
+ 0.010"	Standard		1150-400-181

3LD Type

Major Replacement Parts

Shaft and Wheel

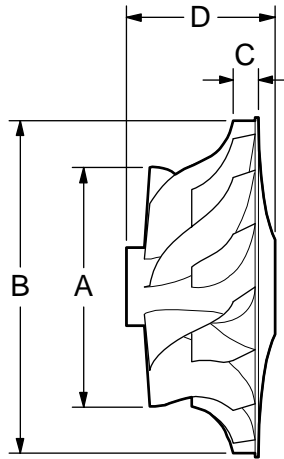


OE Number	Melett Part No.	Inducer Diameter A	Exducer Diameter B	Tip Height C	Journal Bearing D	Comp. Wheel Bore E	Blades	Type of Shaft
55791	1250-403-435	75.60	61.30	9.1	12.20	7.94	12	Straight
156689	1250-403-435	75.60	61.30	9.1	12.20	7.94	12	Straight

3LD Type

Major Replacement Parts

Compressor Wheel



OE Number	Melett Part No.	Inducer Diameter A	Exducer Diameter B	Tip Height C	Total Height D	Blades	Flatback/ Superback /trim	Shaft Bore
51217	1250-403-426	54.61	82.55	5.72	28.580	12.00	Flatback	7.94
146594	1250-403-426	54.61	82.55	5.72	28.580	12.00	Flatback	7.94



T: +44 (0) 1484 864867
F: +44 (0) 1484 861116
E: info@melett.com



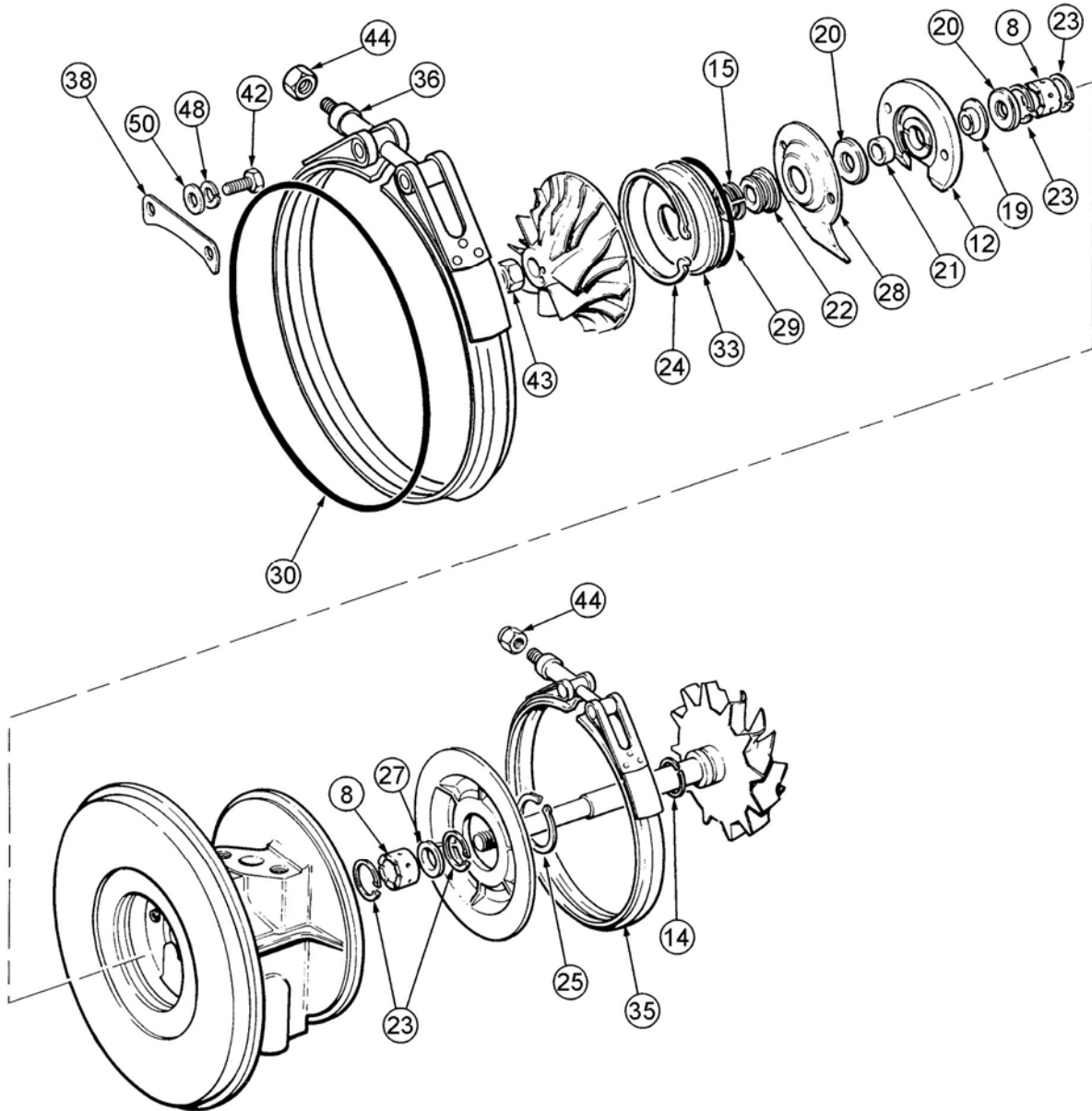
Holset

4LE/F/G

Type Turbos

4LE/F/G Type

Common Service Parts



4LE/F/G Type

Repair Kits and Service Parts

All parts are available for purchase as individual components or in the following popular Repair Kits

Key	part number	Description	qty in Turbo	1150-040-750	1150-040-751	1151-604-750	1151-604-751	1250-040-760	1300-704-750
8	1250-040-100	Bearing (4LE)	2	2	2	2			
8	1250-404-100	Bearing 4MD/4HD Std OD/Std	2				2		2
12	1152-303-320	Thrust Bearing (4LG Ramped)	1	1	1	1	1		1
14/15	1150-400-170	Piston Ring (0.875")	2/4		4	2	2		2
14	1150-400-160	Piston Ring (0.885")	1	1	1	2	2		1
15	1152-303-170	Piston Ring (0.750")	2	2					
20	1301-036-240	Thrust Washer	2					2	
21	1301-036-220	Spacer Sleeve	1					1	
22	1301-036-200	Thrust Flinger	1					1	
23	1250-404-140	Retaining Ring (Journal Brg)	4				4		4
23	1301-036-140	Retaining Ring (Journal Brg)	4	4	4	4			
24	1250-403-140	Retaining Ring (Insert)	1	1	1	1			
25	1153-060-145	Retaining Ring (Heat Shield)	1						
27	1250-040-260	Oil Control Sleeve (4L)	1	1	1				
27	1250-404-260	Oil Control Sleeve (4"-4MD)	1						1
27	1301-036-260	Oil Deflector Ring	1					1	
29	1250-030-150	O Ring (Insert 65mm)	1	1	1	1	1		1
30	1250-040-155	O Ring (Comp Cover)	1	1	1				1
30	1250-404-155	O Ring (Comp Cover)	1				1		
30	1301-036-150	O Ring (Comp Cover)	1						1
33	1150-704-300	Insert (0.750" bore)	1						
33	1250-403-300	Insert (0.875" bore)	1						
40	1250-404-600	Bolt (Turbine Hsg 3/8")	8				8		
43	1250-040-350	Shaft Nut 4L (7/16-20x8.5)	1	1	1	1	1		1
44	1100-120-645	Lock Nut (V-Band)	2	2	2				
48	1301-027-580	Spring Washer (Comp Cover)	10	10		10			

Description of Repair Kits available

- 1150-040-750 Repair Kit 4LGK to replace 3545661
- 1150-040-751 Service Kit All 4LE/4LF to replace 3545659/660 & 3524840 & 318350/1/5
- 1151-604-750 Repair Kit 4MF to replace 3545674
- 1151-604-751 Repair Kit 4MF large bearings
- 1250-040-760 Thrust Kit 4LG (twin ring)
- 1300-704-750 Repair Kit 4IG (LBrg) to replace 5232-711-0004/6/11 & 5336-711-0004/16

For oversize bearings and piston rings, see Page 16

4LE/F/G Type

Oversize Repair Parts

Journal Bearings

4LE/F/G		
Standard	Standard	1250-040-100
+ 0.010"	- 0.010"	1250-040-120
+ 0.010"	Standard	1250-040-124
Standard	- 0.010"	1250-040-127

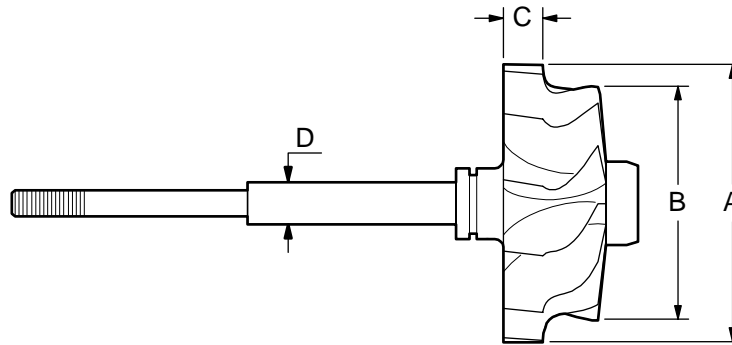
Piston Rings

4LE/F/G		Turbine	Compressor
OD	Width		
Standard	Standard	1150-400-170	
Standard	Standard	1150-400-160	
+ 0.010"	Standard	1150-400-180	
+ 0.010"	Standard	1150-400-181	
Standard	+ 0.010"	1150-400-185	
Standard	+ 0.010"	1150-400-186	
Standard	Standard		1150-400-170
Standard	+ 0.010"		1150-400-186
Standard	Standard		1153-303-170
+ 0.010"	Standard		1150-400-181

4LE/F/G Type

Major Replacement Parts

Shaft and Wheel

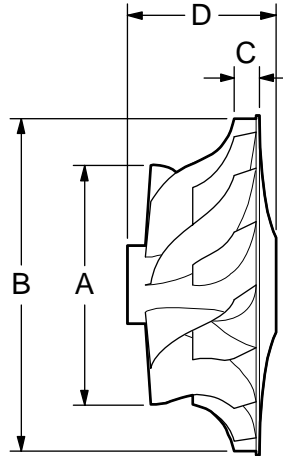


OE Number	Melett Part No.	Inducer Diameter A	Exducer Diameter B	Tip Height C	Journal Bearing D	Comp. Wheel Bore E	Blades	Type of Shaft
57175	1152-303-436	96.52	81.12	14.78	14.25	11.10	12	Straight
61685	1152-303-435	96.52	86.41	14.66	14.25	11.10	12	Straight
186648	1152-303-435	96.52	86.41	14.66	14.25	11.10	12	Straight
186649	1152-303-436	96.52	81.12	14.78	14.25	11.10	12	Straight
3500433	1152-303-435	96.52	86.41	14.66	14.25	11.10	12	Straight
3502413	1152-303-435	96.52	86.41	14.66	14.25	11.10	12	Straight
3502499	1152-303-436	96.52	81.12	14.78	14.25	11.10	12	Straight
3502817	1152-303-436	96.52	81.12	14.78	14.25	11.10	12	Straight
3503023	1152-303-435	96.52	86.41	14.66	14.25	11.10	12	Straight

4LE/F/G Type

Major Replacement Parts

Compressor Wheel



OE Number	Melett Part No.	Inducer Diameter A	Exducer Diameter B	Tip Height C	Total Height D	Blades	Flatback/Superback/trim	Shaft Bore
57955	1250-040-400	62.40	93.70	8.00	36.200	6\6	Flatback	10.90
159608	1250-040-400	62.40	93.70	8.00	36.200	6\6	Flatback	10.90
5230-123-2001	1250-040-400	62.40	93.70	8.00	36.200	6\6	Flatback	10.90
5230-123-2007	1250-040-400	62.40	93.70	8.00	36.200	6\6	Flatback	10.90
5232-123-2010	1250-040-400	62.40	93.70	8.00	36.200	6\6	Flatback	10.90



T: +44 (0) 1484 864867
F: +44 (0) 1484 861116
E: info@melett.com



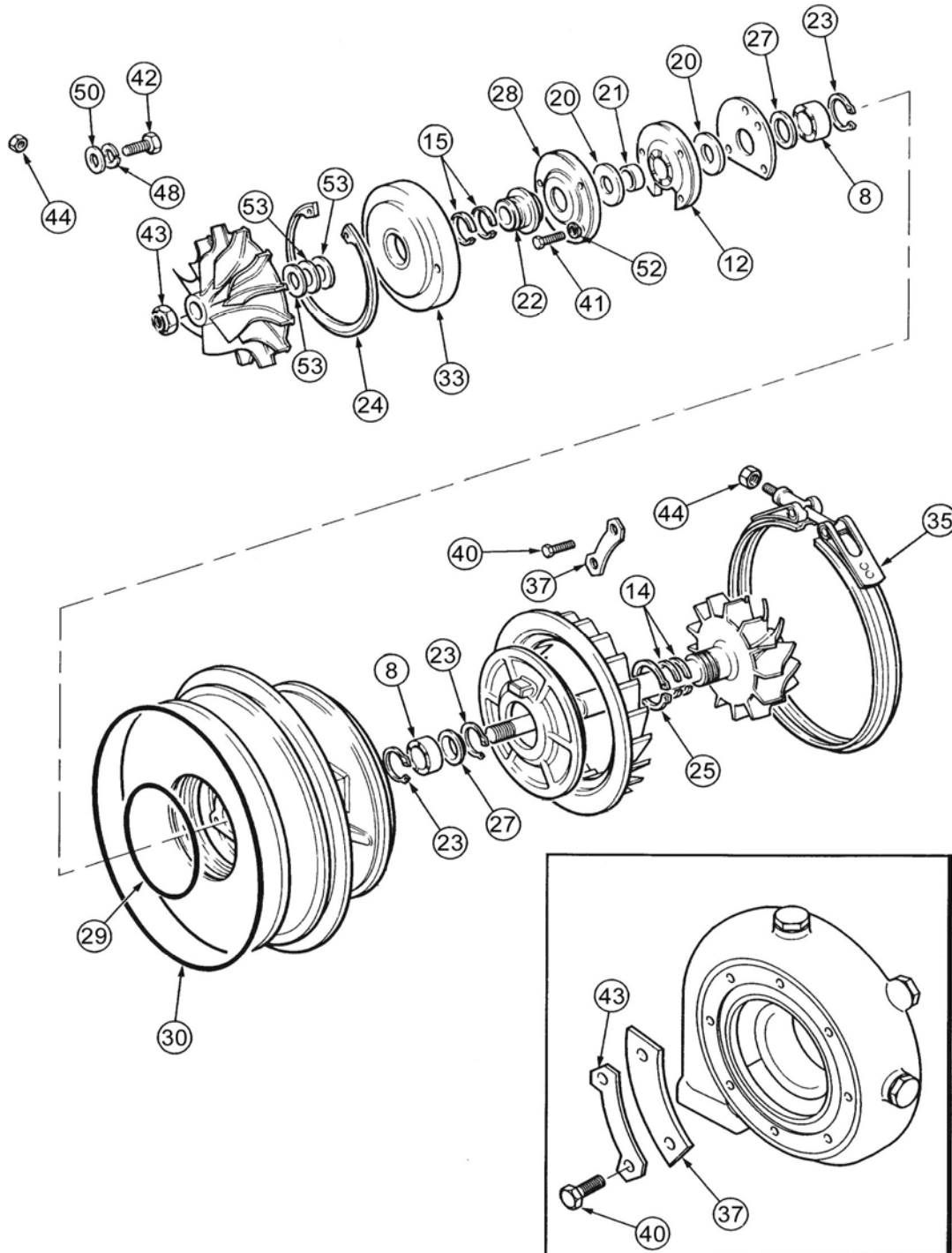
Holset

4HD/MD

Type Turbos

4HD/MD Type

Common Service Parts



4HD/MD Type

Repair Kits and Service Parts

All parts are available for purchase as individual components or in the following popular Repair Kits

Key	part number	Description	qty in Turbo	1250-404-750	1250-404-751	1250-404-753
8	1250-404-100	Bearing 4MD/4HD Std OD/Std	2	2	2	2
12	1250-404-320	Thrust Bearing 4HD/4MD	1	1	1	1
15	1150-400-170	Piston Ring (0.875")	4	4	4	4
20	1250-404-240	Thrust Ring 4MD	2			2
23	1250-404-140	Retaining Ring (4MD/HD/T14	3	3	3	3
27	1250-404-260	Oil Control Sleeve (4"-4MD)	1	1	1	1
29	1250-404-150	O Ring (4MD Insert)	1	1	1	1
30	1250-404-155	O Ring (4MD/K37 Comp Cover)	1	1	1	1
30	1250-404-156	O Ring 4MD	1			1
40	1250-404-600	Bolt (4MD Turbine Hsg 3/8"	8			8
41	1100-120-610	Bolt (T12 Insert Plate)	3	3	3	
43	1200-050-350	Shaft Nut ST/VT50 (Locking)	1			1
44	1100-120-645	Lock Nut (V-Band)	2			2
52	1250-404-580	Washer Spring 4MD/4HD(Brg	3	3	3	3
53	1250-404-250	Shim (4MD-4HD) .002"	2	2	2	2
53	1250-404-251	Shim (4MD-4HD) .005"	2	2	2	2
53	1250-404-252	Shim (4MD-4HD) .010"	2	2	2	2
-	1900-000-004	Gasket Turbine Inlet Single Entry	1	1		
-	1900-000-025	Gasket. Oil Outlet T12	1	1		
-	1900-000-035	Gasket (Oil Inlet T12)	1	1		

Description of Repair Kits available

- 1250-404-750** Repair Kit 4MD (Inc Gaskets)
- 1250-404-751** Repair Kit 4MD to replace 183216
- 1250-404-753** Repair Kit 4MD/4HD to replace 3545672/318359

For oversize bearings and piston rings, see Page 22

4HD/MD Type

Oversize Repair Parts

Journal Bearings

4HD/4MD		
Standard	Standard	1250-404-100
+ 0.010"	- 0.010"	1250-404-120

Piston Rings

4MD/HD		Turbine	Compressor
OD	Width		
Standard	Standard	1150-400-170	1150-400-170
+ 0.010"	Standard	1150-400-160	1150-400-160
Standard	+ 0.010"	1150-400-186	1150-400-186



T: +44 (0) 1484 864867
F: +44 (0) 1484 861116
E: info@melett.com



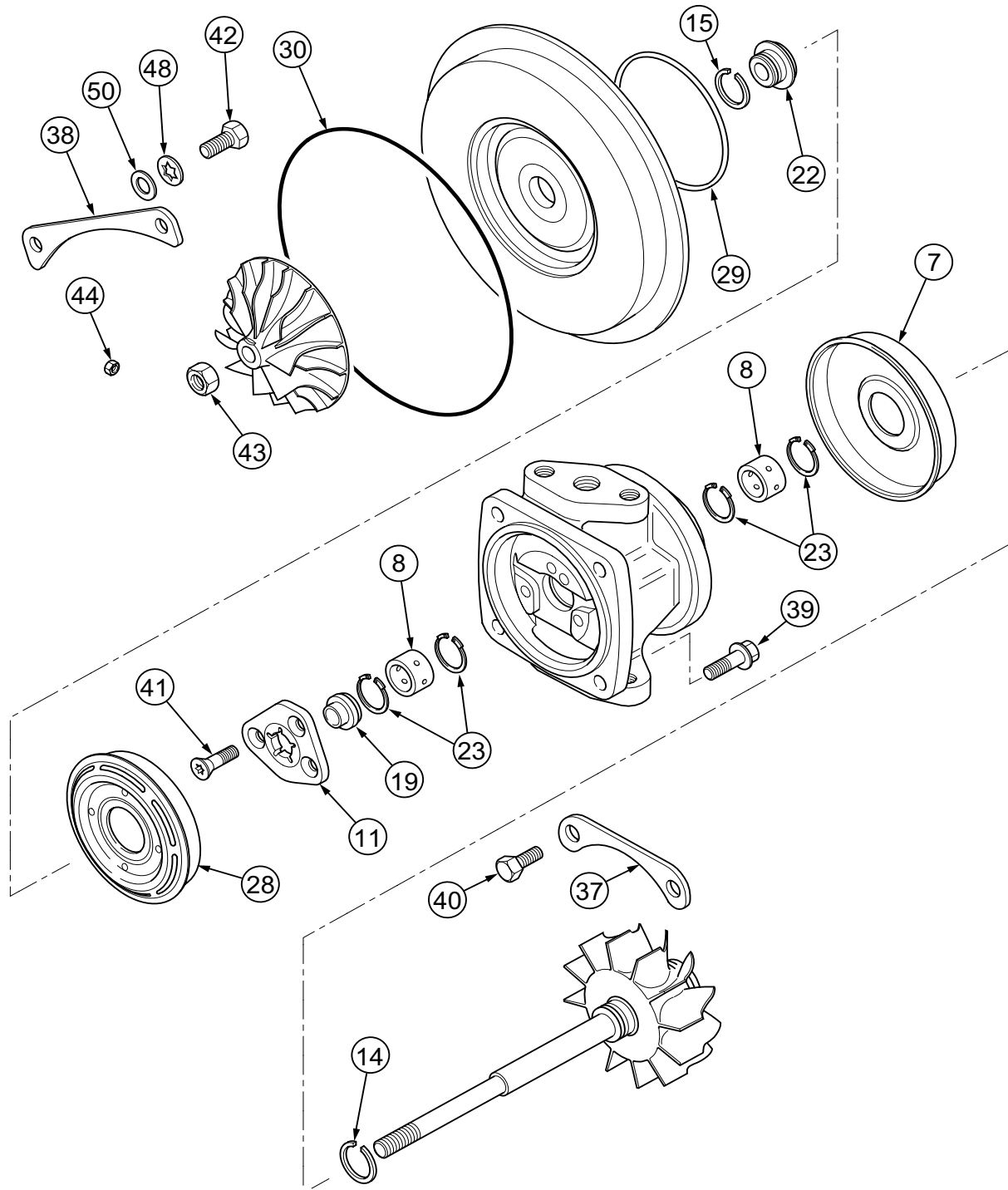
Holset

H1B/C/D/E/H2A

Type Turbos

H1B/C/D/E/H2A Type

Common Service Parts



H1B/C/D/E/H2A Type

Repair Kits and Service Parts

All parts are available for purchase as individual components
 or in the following popular Repair Kits

Key	part number	Description	qty in Turbo	1152-301-750	1152-301-751	1152-301-752	1152-301-755
7	1152-301-340	Heatshield	1				
8	1152-301-100	Bearing H1C/HX30/35/40 Std/Std	2	2	2	2	2
11	1152-301-320	Thrust Bearing (H1C)	1	1			1
11	1152-302-320	Thrust Bearing (H1B)	1		1	1	
14	1152-302-160	Piston Ring Turbine	1	1	1	1	1
15	1152-302-170	Piston Ring Comp	1	1	1	1	1
19	1152-301-240	Thrust Collar (H1C-D-E)	1				1
22	1152-301-200	Thrust Flinger H1C/D/E	1				1
23	1100-040-140	Retaining Ring	4	4	4	4	4
29	1152-301-150	O Ring H1C b/hsg	1	1		1	1
30	1152-301-155	O Ring Compressor Cover	1	1		1	1
39	1152-301-561	Bolt Patched	4	4		4	4
40	1301-027-600	Bolt (Turbine Hsg)	8			8	
41	1152-301-620	Screw Thrust Brg	3	3	3	3	3
43	1152-301-351	Shaft Nut H1C/HX30/35/40	1	1		1	1
44	1100-120-645	Lock Nut (V-Band)	1	1			1
-	1152-201-150	O Ring H1B b/hsg	1		1		

Description of Repair Kits available

- 1152-301-750** Repair Kit (Minor) to replace 3545652
- 1152-301-751** Repair Kit (Minor) H1B similar to 3545651
- 1152-301-752** Repair Kit (Minor) H2A
- 1152-301-755** Repair Kit (Major) H1C/D/E similar to 3545399 + flinger

For oversize bearings and piston rings, see Page 26

H1B/C/D/E/H2A Type

Oversize Repair Parts

Journal Bearings

H1B/C/D/E		
Standard	Standard	1152-301-100
+ 0.010"	- 0.010"	1152-301-120
+ 0.010"	Standard	1152-301-124
Standard	- 0.010"	1152-301-127

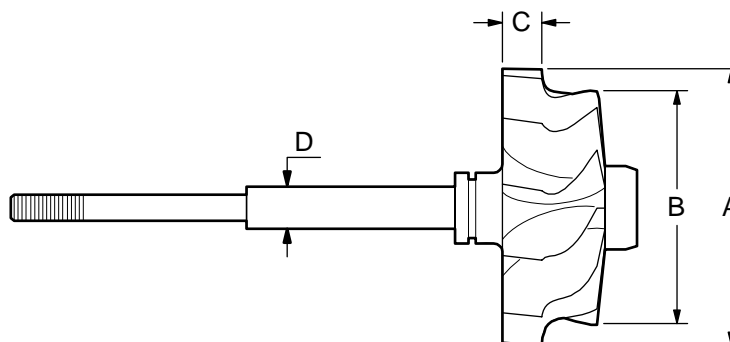
Piston Rings

H1C/D/E/H2A		Turbine	Compressor
OD	Width		
Standard	Standard	1152-302-160	
+ 0.010"	Standard	1152-302-180	
Standard	+ 0.010"	1152-302-181	
+ 0.010"	+ 0.010"	1152-302-182	
Standard	Standard		1152-302-170

H1B/C/D/E/H2A Type

Major Replacement Parts

Shaft and Wheel



OE Number	Melett Part No.	Inducer Diameter A	Exducer Diameter B	Tip Height C	Journal Bearing D	Comp. Wheel Bore E	Blades	Type of Shaft
3519336	1152-301-435	70.00	59.94	10.7	11.00	7.00	12	Straight
3522879	1152-301-436	76.00	64.00	10	11.00	7.00	12	Straight
3522880	1152-301-437	76.00	67.00	12.3	11.00	7.00	12	Straight

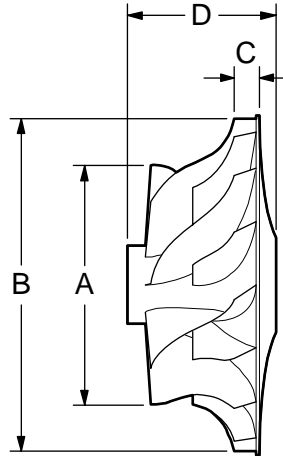
Bearing Housings

O.E.M. Designation	OE Number	Melett Part No.	A Dia (mm)	B Dia (mm)	F Oil Inlet	G Oil Outlet
H1C	3502500	1152-301-450	69.00	82.00	Universal	2 - M8 x 1.25
H1C	3520574	1152-301-450	69.00	82.00	Universal	2 - M8 x 1.25
H1C	3530591	1152-301-450	69.00	82.00	Universal	2 - M8 x 1.25
H1C	3530592	1152-301-450	69.00	82.00	Universal	2 - M8 x 1.25

H1B/C/D/E/H2A Type

Major Replacement Parts

Compressor Wheel



OE Number	Melett Part No.	Inducer Diameter A	Exducer Diameter B	Tip Height C	Total Height D	Blades	Flatback/ Superback /trim	Shaft Bore
3504649	1152-301-401	54.00	83.00	5.90	40.000	8\8	Superback	7.00
3522824	1152-301-402	46.00	83.00	5.00	40.000	8\8	Superback	7.00
3525358	1152-301-401	54.00	83.00	5.90	40.000	8\8	Superback	7.00
3525398	1152-301-403	54.00	83.00	6.00	40.000	8\8	Superback	7.00
3537150	1152-301-402	46.00	83.00	5.00	40.000	8\8	Superback	7.00
3537151	1152-301-401	54.00	83.00	5.90	40.000	8\8	Superback	7.00
3537154	1152-301-403	54.00	83.00	6.00	40.000	8\8	Superback	7.00
3599638	1152-301-400	52.00	83.00	6.40	40.000	8\8	Superback	7.00
3599641	1152-301-402	46.00	83.00	5.00	40.000	8\8	Superback	7.00
3599642	1152-301-401	54.00	83.00	5.90	40.000	8\8	Superback	7.00
3599646	1152-301-403	54.00	83.00	6.00	40.000	8\8	Superback	7.00



T: +44 (0) 1484 864867
F: +44 (0) 1484 861116
E: info@melett.com



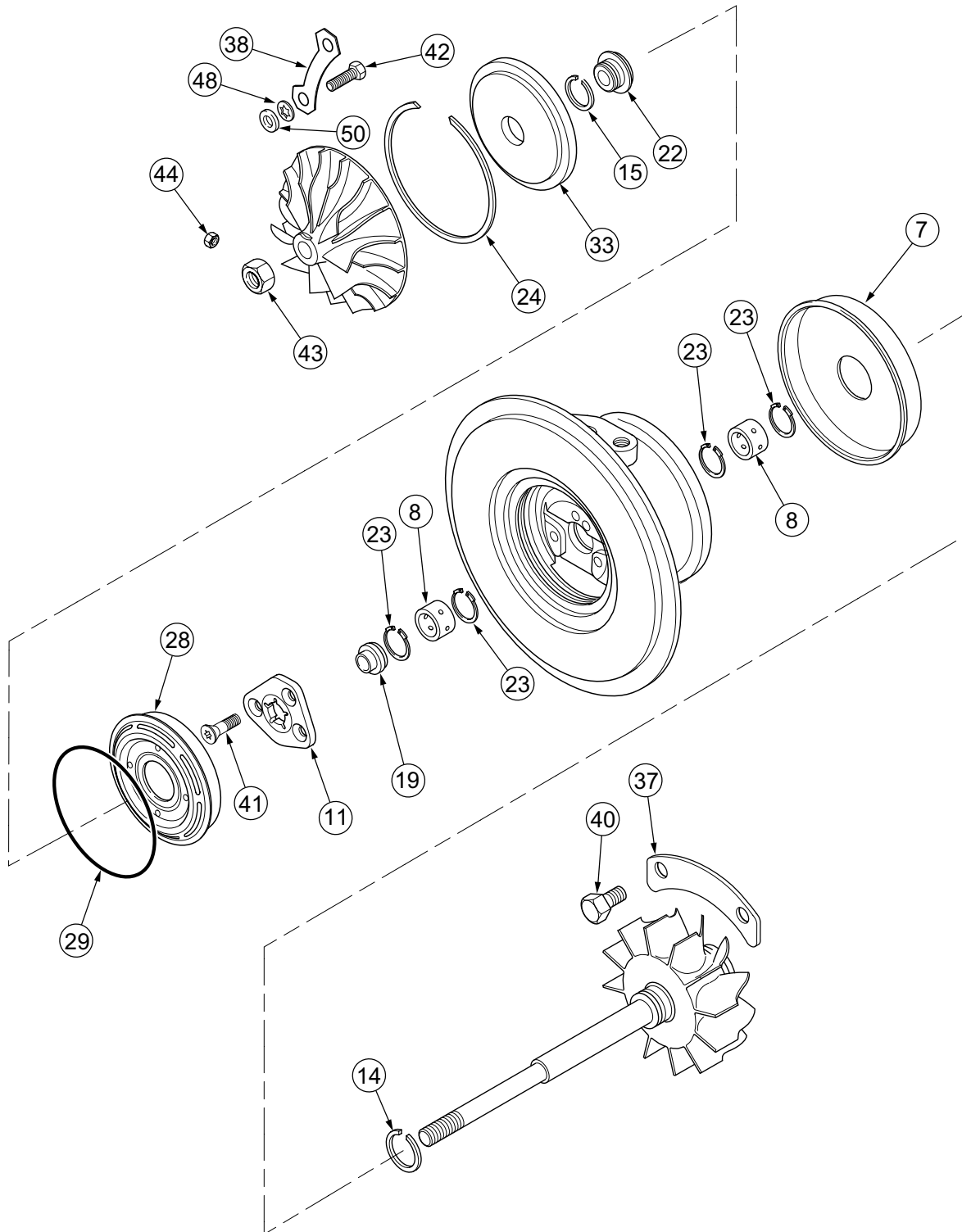
Holset

H2B/C/D/E

Type Turbos

H2B/C/D/E Type

Common Service Parts



H2B/C/D/E Type

Repair Kits and Service Parts

All parts are available for purchase as individual components
 or in the following popular Repair Kits

Key	part number	Description	qty in Turbo	1152-302-750	1152-302-751
8	1152-302-100	Journal Bearing	2	2	2
11	1152-302-320	Thrust Bearing	1	1	1
14	1152-302-160	Piston Ring Turbine	1	1	1
15	1152-302-170	Piston Ring Comp	1	1	1
19	1152-302-240	Thrust Collar	1		1
22	1152-302-200	Thrust Flinger	1		1
23	1152-302-140	Retaining Ring J-Brg	4	4	4
29	1152-302-150	O Ring (Seal Plate)	1	1	1
30	1153-050-156	O Ring (Comp Cover)	1		1
37	1152-302-520	Lock Plate (Turbine)	3	3	3
40	1301-027-600	Bolt (Turbine Hsg)	6	6	6
41	1152-301-620	Screw Thrust Brg	3	3	3
43	1153-050-350	Shaft Nut	1		1
48	1153-050-580	Lockwasher (Internal serrated)	8	8	8

Description of Repair Kits available

- 1152-302-750 Repair Kit (Minor) H2C similar to 3545653
- 1152-302-750 Repair Kit (Minor) H2C similar to 3545502
- 1152-302-750 Repair Kit (Minor) H2C similar to 3545503
- 1152-302-750 Repair Kit (Minor) H2C similar to 3545504
- 1152-302-751 Repair Kit (Major) H2C

For oversize bearings and piston rings, see Page 32

H2B/C/D/E Type

Oversize Repair Parts

Journal Bearings

H2B/C/D/E		
Standard	Standard	1152-302-100
+ 0.010"	- 0.010"	1152-302-120
+ 0.010"	Standard	1152-302-124
Standard	- 0.010"	1152-302-127

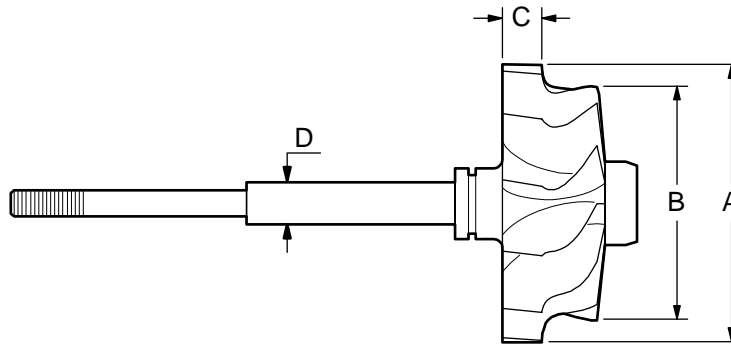
Piston Rings

H2C/D/E		Turbine	Compressor
OD	Width		
Standard	Standard	1152-302-160	
+ 0.010"	Standard	1152-302-180	
Standard	+ 0.010"	1152-302-181	
+ 0.010"	+ 0.010"	1152-302-182	
Standard	Standard		1152-302-170

H2B/C/D/E Type

Major Replacement Parts

Shaft and Wheel



OE Number	Melett Part No.	Inducer Diameter A	Exducer Diameter B	Tip Height C	Journal Bearing D	Comp. Wheel Bore E	Blades	Type of Shaft
3522232	1152-302-435	86.00	72.00	12.4	12.20	8.00	11	Straight
3522773	1152-302-436	86.00	77.00	13.25	12.20	8.00	11	Straight



T: +44 (0) 1484 864867
F: +44 (0) 1484 861116
E: info@melett.com





T: +44 (0) 1484 864867
F: +44 (0) 1484 861116
E: info@melett.com



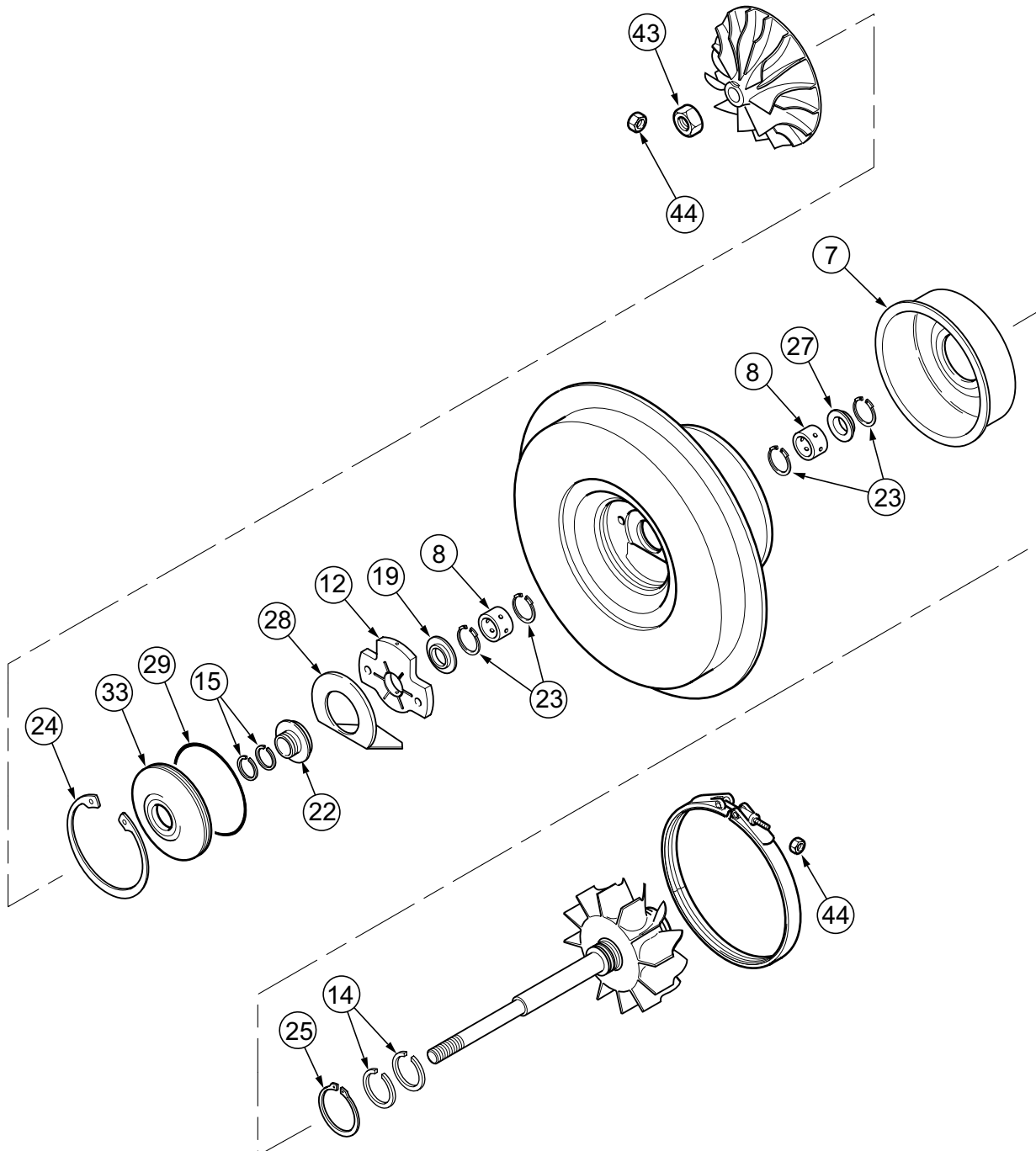
Holset

H3B

Type Turbos

H3B Type

Common Service Parts



H3B Type

Repair Kits and Service Parts

All parts are available for purchase as individual components
 or in the following popular Repair Kits

Key	part number	Description	qty in Turbo	1152-303-750
8	1250-040-100	Journal Bearing	2	2
12	1152-303-320	Thrust Bearing (4LG Ramped)	1	1
14	1150-400-160	Piston Ring 0.885"	1	2
15	1152-303-170	Piston Ring (0.750")	2	2
23	1301-036-140	Retaining Ring - J-Brg	4	4
24	1250-403-140	Retaining Ring (Insert)	1	1
25	1153-060-145	Retaining Ring (Heat Shield)	1	
27	1250-040-260	Oil Control Sleeve (4L)	1	1
29	1250-030-150	O Ring (Insert 65mm)	1	1
30	1250-040-155	O Ring (C/Hsg)	1	1
43	1152-105-351	Shaft Nut LHT	1	
43	1250-040-350	Shaft Nut 4L (7/16 RHT)	1	1
44	1153-050-645	V-Band Nut	2	2
48	1152-303-580	Internal Serated Lock Washer	10	10

Description of Repair Kits available

1152-303-750 Repair Kit H3B/HC3B to replace 3545662/4

For oversize bearings and piston rings, see Page 38

H3B Type

Oversize Repair Parts

Journal Bearings

H3B		
Standard	Standard	1250-040-100
+ 0.010"	- 0.010"	1250-040-120
+ 0.010"	Standard	1250-040-124
Standard	- 0.010"	1250-040-127

Piston Rings

H3B		Turbine	Compressor
OD	Width		
Standard	Standard	1150-400-160	
+ 0.010"	Standard	1150-400-180	
Standard	+ 0.010"	1150-400-185	
Standard	Standard		1152-303-170
+ 0.010"	Standard		1150-400-181



T: +44 (0) 1484 864867
F: +44 (0) 1484 861116
E: info@melett.com



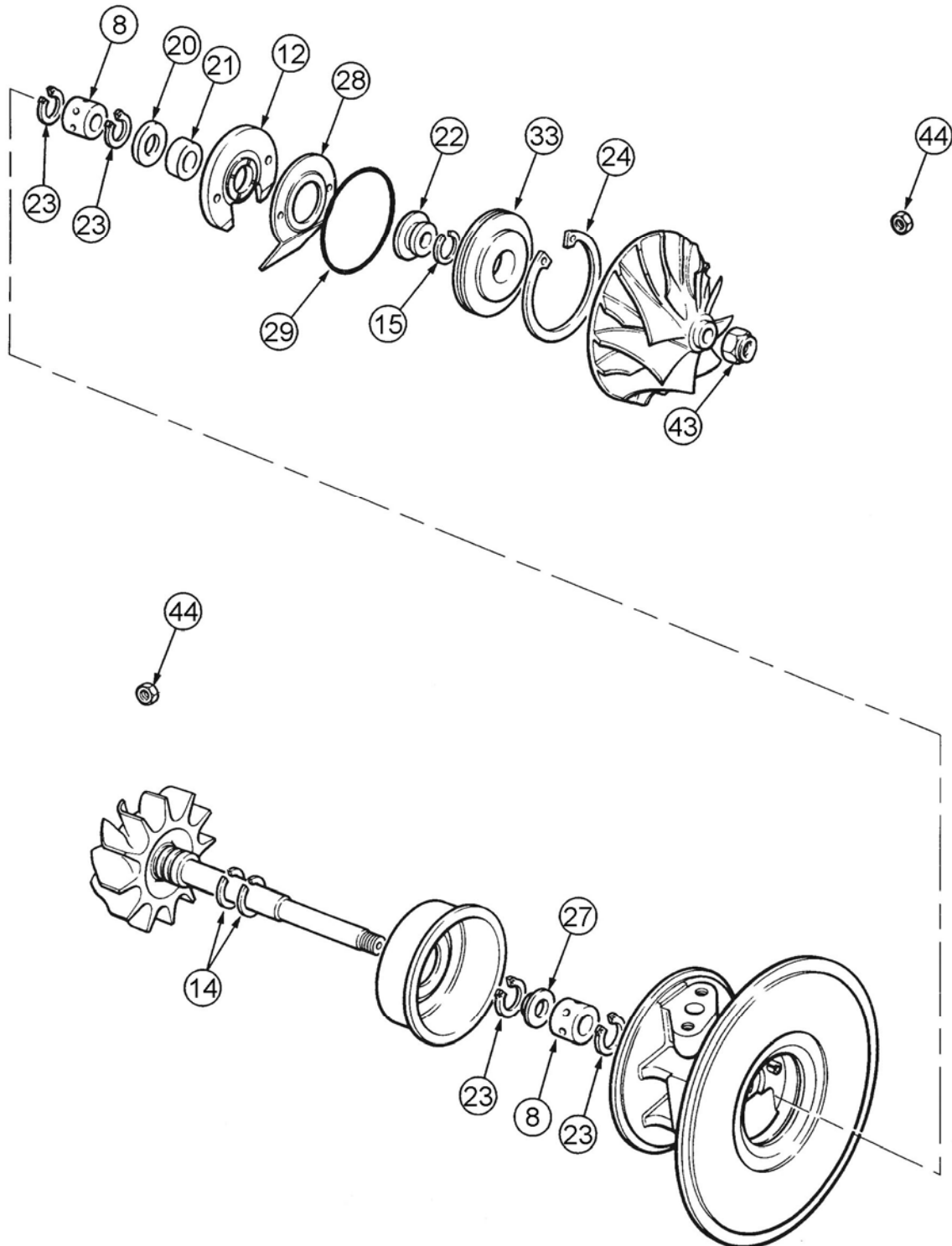
Holset

HT3B/HT60

Type Turbos

HT3B/HT60 Type

Common Service Parts



HT3B/HT60 Type

Repair Kits and Service Parts

All parts are available for purchase as individual components
 or in the following popular Repair Kits

Key	part number	Description	qty in Turbo	1152-304-750	1152-304-751
8	1250-040-100	Journal Bearing	2	2	2
12	1152-304-320	Thrust Bearing (HT3B – Old 4L style)	1		1
12	1153-060-321	Thrust Bearing HT3B/HT60	1	1	
14	1150-400-160	Piston Ring 0.885"	2	2	2
15	1152-303-170	Piston Ring (0.750")	1	1	1
23	1301-036-140	Retaining Ring - K36/HX55 J-Brg	4	4	4
24	1250-403-140	Insert Retaining Ring	1	1	1
25	1250-404-142	Retaining Ring (heatshield)	1	1	1
27	1250-040-260	Oil Control Sleeve (4L)	1	1	1
29	1250-030-150	O Ring (Insert 65mm)	1	1	1
33	1150-704-300	Insert (0.750")	1		
43	1250-040-350	Shaft Nut	1	1	1
44	1153-050-645	V-Band Nut HX50/55	2	2	2
48	1152-303-580	Internal Serated Lock Washer	10	10	10
	N/A	Flinger	1	1	
	N/A	Thrust Collar	1	1	
	N/A	Oil Deflector (HT3B)	1	1	
	N/A	Oil Deflector (HT60)	1	1	

Description of Repair Kits available

1152-304-750 Repair kit HT60 to replace 3575230

1152-304-751 Repair kit HT3B to replace 3545669

For oversize bearings and piston rings, see Page 42

HT3B/HT60 Type

Oversize Repair Parts

Journal Bearings

HT3B/HT60		
Standard	Standard	1250-040-100
+ 0.010"	- 0.010"	1250-040-120
+ 0.010"	Standard	1250-040-124
Standard	- 0.010"	1250-040-127

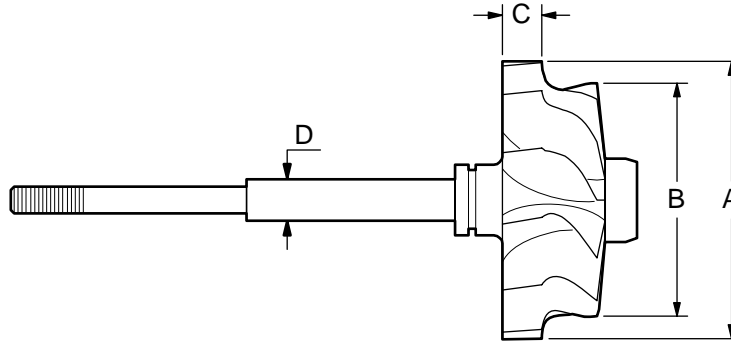
Piston Rings

HT3B/HT60		Turbine	Compressor
OD	Width		
Standard	Standard	1150-400-160	
+ 0.010"	Standard	1150-400-180	
Standard	+ 0.010"	1150-400-185	
Standard	Standard		1152-303-170
+ 0.010"	Standard		1150-400-181

HT3B/HT60 Type

Major Replacement Parts

Shaft and Wheel

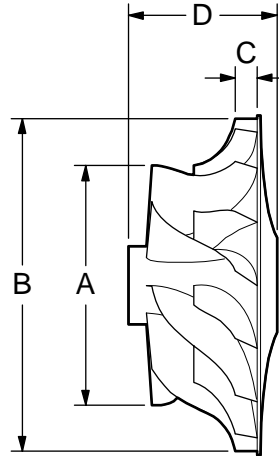


OE Number	Melett Part No.	Inducer Diameter A	Exducer Diameter B	Tip Height C	Journal Bearing D	Comp. Wheel Bore E	Blades	Type of Shaft
196370	1152-304-435	97.00	86.25	16.5	14.25	11.10	12	Straight
3522075	1152-304-435	97.03	86.36	17.04	14.25	11.10	12	Straight
3522075	1152-304-435	97.00	86.25	16.5	14.25	11.10	12	Straight

HT3B/HT60 Type

Major Replacement Parts

Compressor Wheel



OE Number	Melett Part No.	Inducer Diameter A	Exducer Diameter B	Tip Height C	Total Height D	Blades	Flatback/ Superback /trim	Shaft Bore
3527047	1152-304-401	73.50	109.00	9.30	54.000	8\8	Superback	11.11



T: +44 (0) 1484 864867
F: +44 (0) 1484 861116
E: info@melett.com



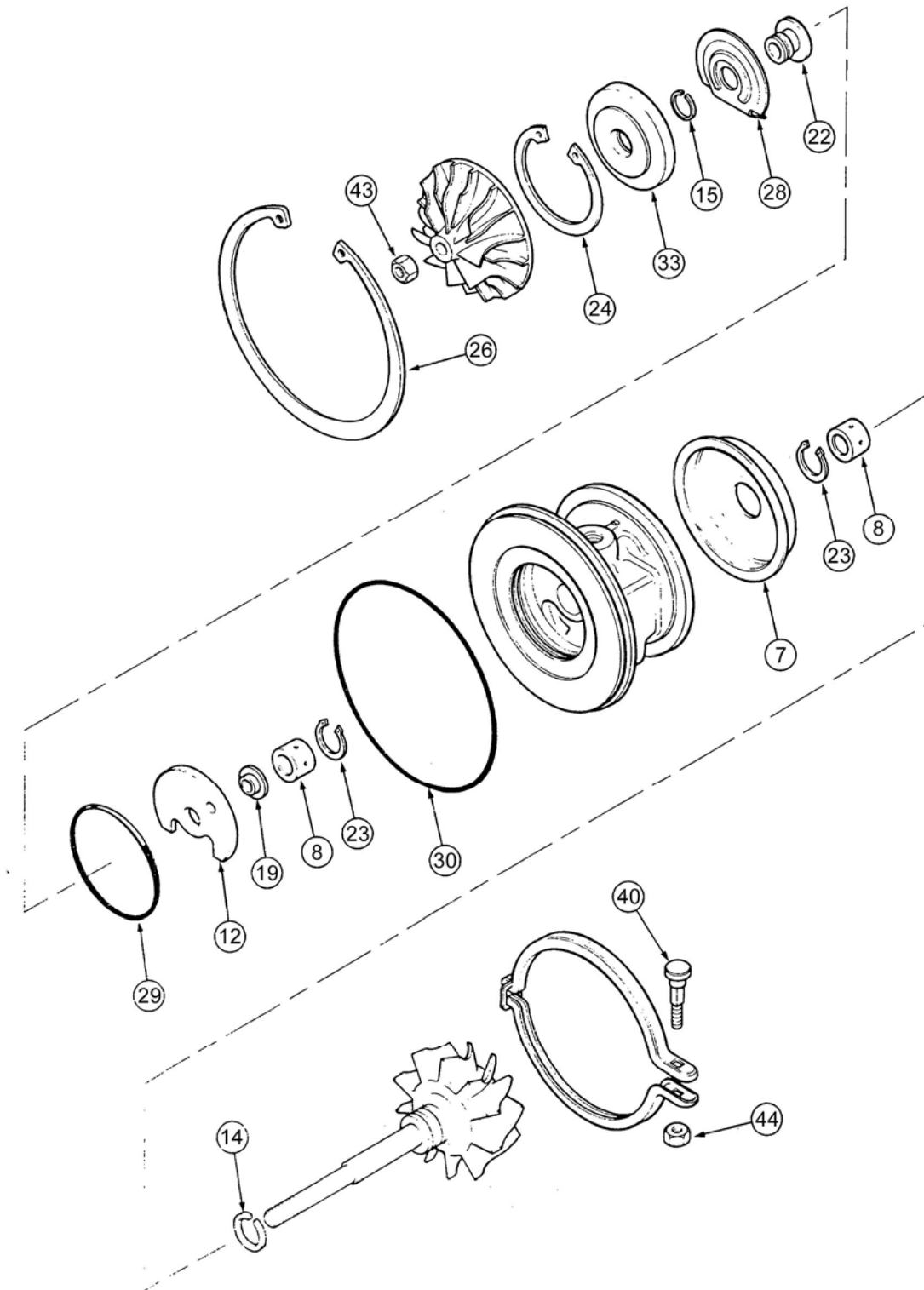
Holset

HX25/27/HE221W

Type Turbos

HX25/27/HE221W Type

Common Service Parts



HX25/27/HE221W Type

Repair Kits and Service Parts

All parts are available for purchase as individual components
 or in the following popular Repair Kits

Key	part number	Description	qty in Turbo	1153-025-750	1153-025-751
8	1153-025-100	Bearing Std OD/Std ID	2	2	2
12	1153-025-320	Thrust Bearing	1		1
14	1153-025-160	Piston Ring (Turbine End)	1	1	1
15	1153-014-170	Piston Ring (Comp End)	1	1	1
19	1153-025-240	Thrust Collar	1		1
22	1153-025-200	Thrust Flinger	1		1
23	1153-025-140	Retaining Ring J-Brg	2	2	2
23	1153-025-141	Spiral Retaining Ring	2	2	2
29	1153-025-150	O Ring (Seal Plate)	1	1	1
30	1153-025-155	O Ring (Comp Cover)	1	1	1
33	1153-025-300	Insert /Seal Plate	1		1
43	1153-025-351	Shaft Nut LHT	1	1	1
-	1900-000-042	Gasket (Oil Outlet)	1		1

Description of Repair Kits available

1153-025-750 Repair Kit (Minor) HX25/HE221
 1153-025-751 Repair Kit (Major) HX25/HE221

For oversize bearings and piston rings, see Page 48

HX25/27/HE221W Type

Oversize Repair Parts

Journal Bearings

HX25/27/HE221		
Standard	Standard	1153-025-100
+ 0.005"	- 0.005"	1153-025-110
+ 0.005"	Standard	1153-025-114
Standard	- 0.005"	1153-025-117
+ 0.010"	- 0.010"	1153-025-120
+ 0.010"	Standard	1153-025-124
+ 0.005"	- 0.010"	1153-025-130
+ 0.010"	- 0.005"	1153-025-131

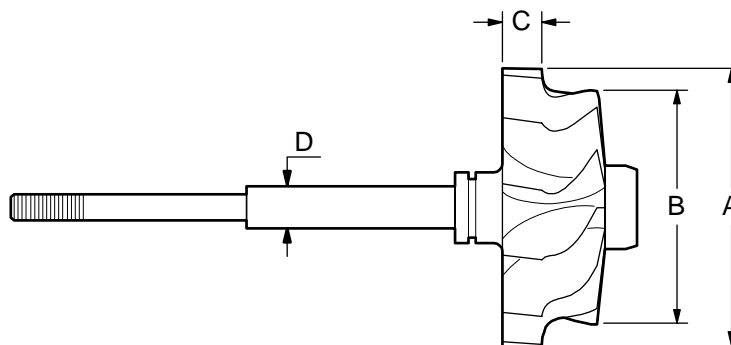
Piston Rings

HX25/27/HE221		Turbine	Compressor
OD	Width		
Standard	Standard	1153-025-160	
Standard	Standard	1153-025-162	
+ 0.010"	Standard	1153-025-180	
Standard	+ 0.010"	1153-025-181	
+ 0.010"	+ 0.010"	1153-025-182	
Standard	Standard		1153-025-170

HX25/27/HE221W Type

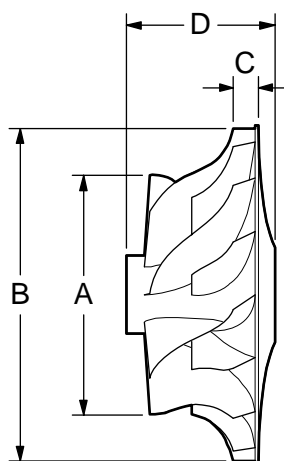
Major Replacement Parts

Shaft and Wheel



OE Number	Melett Part No.	Inducer Diameter A	Exducer Diameter B	Tip Height C	Journal Bearing D	Comp. Wheel Bore E	Blades	Type of Shaft
Not Known	1153-025-435	52.00	45.60	8.9	7.50	5.00	12	Straight

Compressor Wheel



For Chra	Melett Part No.	Inducer Diameter A	Exducer Diameter B	Tip Height C	Total Height D	Blades	Flatback/ Superback /trim	Shaft Bore
3539071	1153-025-400	38.80	56.00	4.50	26.20	6\6	Superback	5.01
3593380	1153-025-401	40.90	56.00	5.00	26.200	6\6	Superback	5.01

HX25/27/HE221W Type

Major Replacement Parts

Bearing Housing

OE Number	Melett Part No.	Description
Not Known	1153-025-450	HX25 For Chra 3539071/3593380

Heatshield

OE Number	Melett Part No.	Description
Not Known	1153-025-340	HX25 For Chra 3539071/3593380



T: +44 (0) 1484 864867
F: +44 (0) 1484 861116
E: info@melett.com



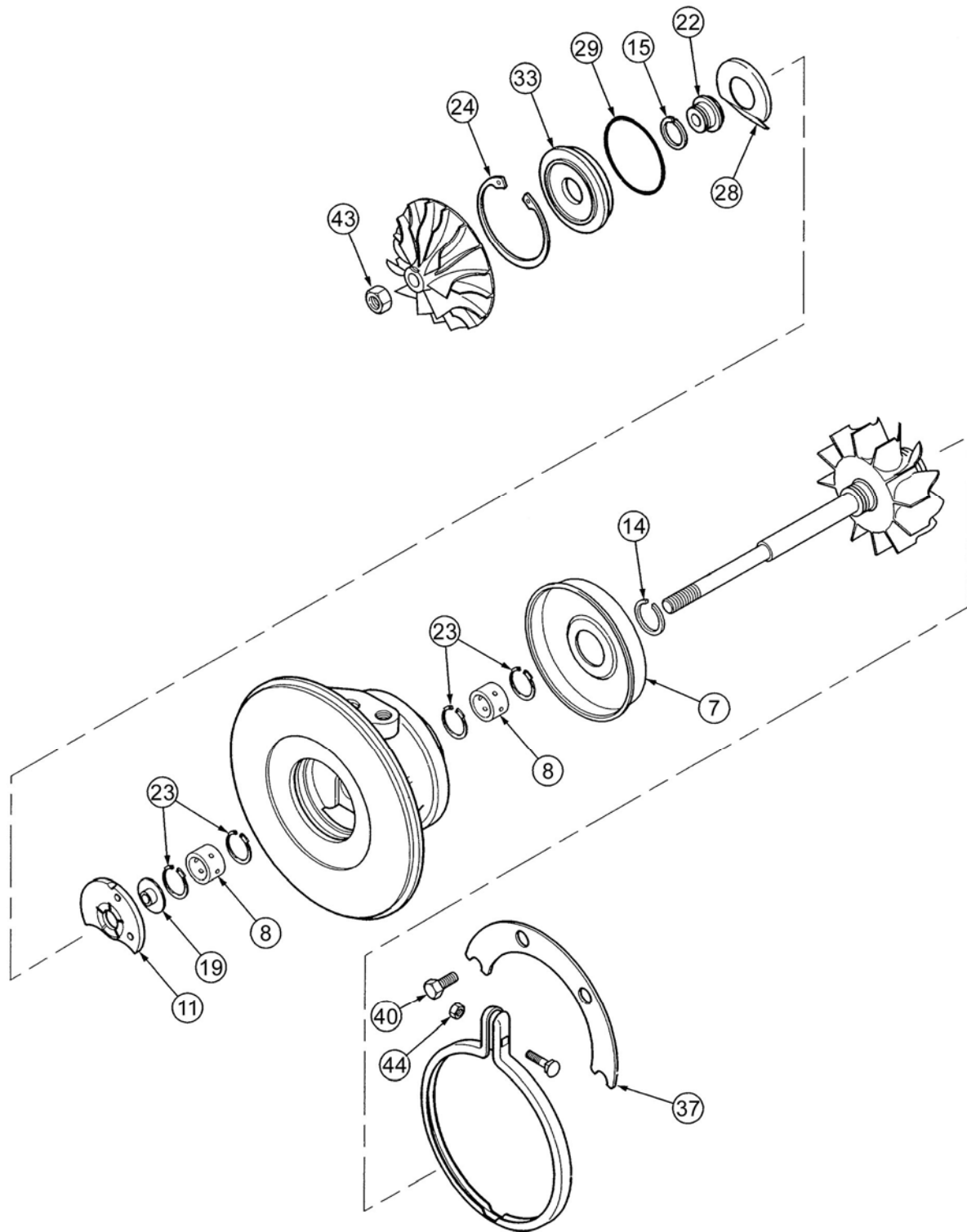
Holset

HX30/35/40

Type Turbos

HX30/35/40 Type

Common Service Parts



HX30/35/40 Type

Repair Kits and Service Parts

All parts are available for purchase as individual components
 or in the following popular Repair Kits

Key	part number	Description	qty in Turbo	1153-030-750	1153-035-750	1153-035-751	1153-035-752
8	1152-301-100	Journal Bearing	2	2	2	2	2
11	1153-030-320	Thrust Bearing HX30	1	1			
11	1153-035-320	Thrust Bearing HX35-40	1		1	1	1
14	1152-302-160	Piston Ring (56754)	1	1	1		1
14	1153-050-160	Piston Ring HX50 (3536143)	2			2	2
15	1152-302-170	Piston Ring Comp (58848)	1	1	1	1	1
22	1153-035-200	Thrust Flinger HX30	1				
23	1153-030-145	Retaining Ring J-Brg	4	4	4	4	4
24	1153-030-145	Retaining Ring - HX30 Insert	1	1	1	1	1
28	1153-035-310	Oil Deflector HX35/40	1	1	1	1	1
29	1153-035-150	O Ring (Seal Plate)	1	1	1	1	1
30	1153-035-155	O Ring (Comp Cover)	1		1	1	1
40	1153-035-600	Bolt (Turbine Hsg) Stainless	6		6	6	6
43	1152-301-351	Shaft Nut LHT	1	1	1	1	1
44	1153-030-645	V Band Nut	1	1			

Description of Repair Kits available

- 1153-030-750 Repair Kit (Minor) To replace 3575205
- 1153-035-750 Repair Kit (Minor) To replace 3575169
- 1153-035-751 Repair Kit (Minor) To replace 4027448
- 1153-035-751 Repair Kit (Minor) To replace 4032129
- 1153-035-752 Repair Kit (Major Universal) HX35/40

For oversize bearings and piston rings, see Page 54

HX30/35/40 Type

Oversize Repair Parts

Journal Bearings

HX30/35/40		
Standard	Standard	1152-301-100
+ 0.010"	- 0.010"	1152-301-120
+ 0.010"	Standard	1152-301-124
Standard	- 0.010"	1152-301-127

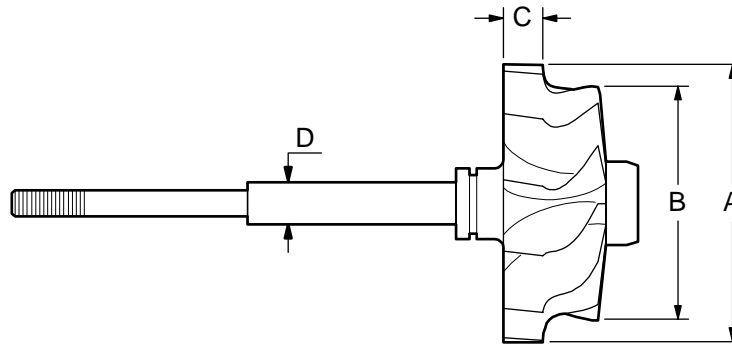
Piston Rings

HX30/35/40		Turbine	Compressor
OD	Width		
Standard	Standard	1152-302-160	
+ 0.010"	Standard	1152-302-180	
Standard	+ 0.010"	1152-302-181	
+ 0.010"	+ 0.010"	1152-302-182	
Standard	Standard		1152-302-170

HX30/35/40 Type

Major Replacement Parts

Shaft and Wheel

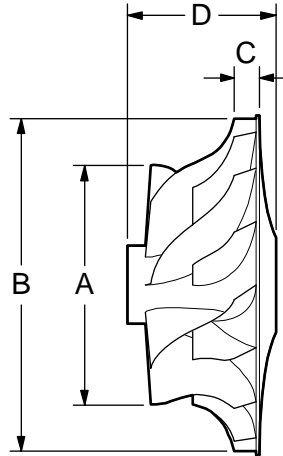


OE Number	Melett Part No.	Inducer Diameter A	Exducer Diameter B	Tip Height C	Journal Bearing D	Comp. Wheel Bore E	Blades	Type of Shaft
3519336	1152-301-435	70.00	59.94	10.7	11.00	7.00	12	Straight
3522879	1152-301-436	76.00	64.00	10	11.00	7.00	12	Straight
3522880	1152-301-437	76.00	67.00	12.3	11.00	7.00	12	Straight

HX30/35/40 Type

Major Replacement Parts

Compressor Wheel



OE Number	Melett Part No.	Inducer Diameter A	Exducer Diameter B	Tip Height C	Total Height D	Blades	Flatback/ Superback /trim	Shaft Bore
3599638	1152-301-400	52.00	83.00	6.40	40.000	8\8	Superback	7.00
3599641	1152-301-402	46.00	83.00	5.00	40.000	8\8	Superback	7.00
3599642	1152-301-401	54.00	83.00	5.90	40.000	8\8	Superback	7.00
3599646	1152-301-403	54.00	83.00	6.00	40.000	8\8	Superback	7.00



T: +44 (0) 1484 864867
F: +44 (0) 1484 861116
E: info@melett.com



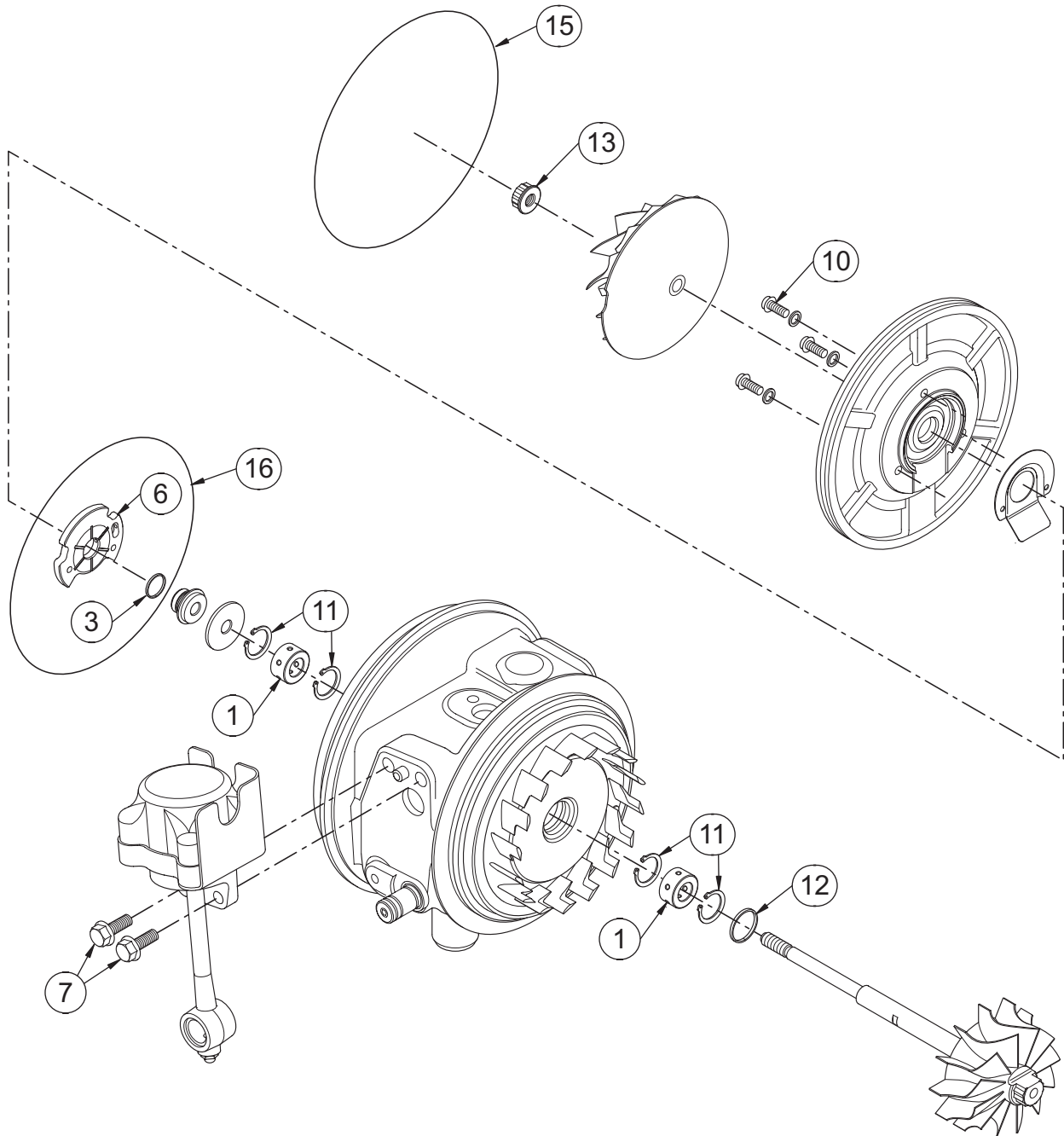
Holset

HY40V

Type Turbos

HY40V Type

Common Service Parts



HY40V Type

Repair Kits and Service Parts

All parts are available for purchase as individual components
 or in the following popular Repair Kits

Key	part number	Description	qty in Turbo	1154-040-750	1154-040-751
8	1154-040-100	Journal Bearing	2	2	2
12	1154-040-320	Thrust Bearing	1	1	1
14	1152-302-160	Piston Ring Turbine	1	1	1
15	1152-302-170	Piston Ring Comp	1	1	1
23	1100-040-140	Retaining Ring J-Brg	4	4	4
29	1154-040-155	O Ring (Brg Hsg)	1	1	1
30	1154-040-150	O Ring (Comp Cvr)	1	1	1
40	1154-040-625	Bolt (Patched) (Actuator)	3	3	3
44	1153-050-645	V-Band Nut	2	2	2
-	1154-040-630	Washer (Doughty Seal) HY40V	3	3	3
-	1154-055-635	Lip Seal	3		3
-	1154-055-960	Core Plug	1		1

Description of Repair Kits available

1154-040-750 Repair Kit HY40V to replace 4031440
1154-040-751 Repair Kit Major HY40V

For oversize bearings and piston rings, see Page 60

HY40V Type

Oversize Repair Parts

Journal Bearings

HY40V		
Standard	Standard	1152-301-100
+ 0.010"	- 0.010"	1152-301-120
+ 0.010"	Standard	1152-301-124
Standard	- 0.010"	1152-301-127

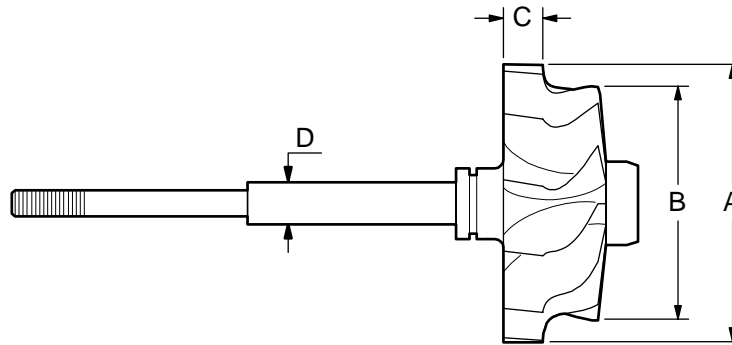
Piston Rings

HY40V		Turbine	Compressor
OD	Width		
Standard	Standard	1152-302-160	
+ 0.010"	Standard	1152-302-180	
Standard	+ 0.010"	1152-302-181	
+ 0.010"	+ 0.010"	1152-302-182	
Standard	Standard		1152-302-170

HY40V Type

Major Replacement Parts

Shaft and Wheel



OE Number	Melett Part No.	Inducer Diameter A	Exducer Diameter B	Tip Height C	Journal Bearing D	Comp. Wheel Bore E	Blades	Type of Shaft
3595129	1154-040-435	76.00	67.00	7.9	11.00	7.00	12	Straight



T: +44 (0) 1484 864867
F: +44 (0) 1484 861116
E: info@melett.com





T: +44 (0) 1484 864867
F: +44 (0) 1484 861116
E: info@melett.com



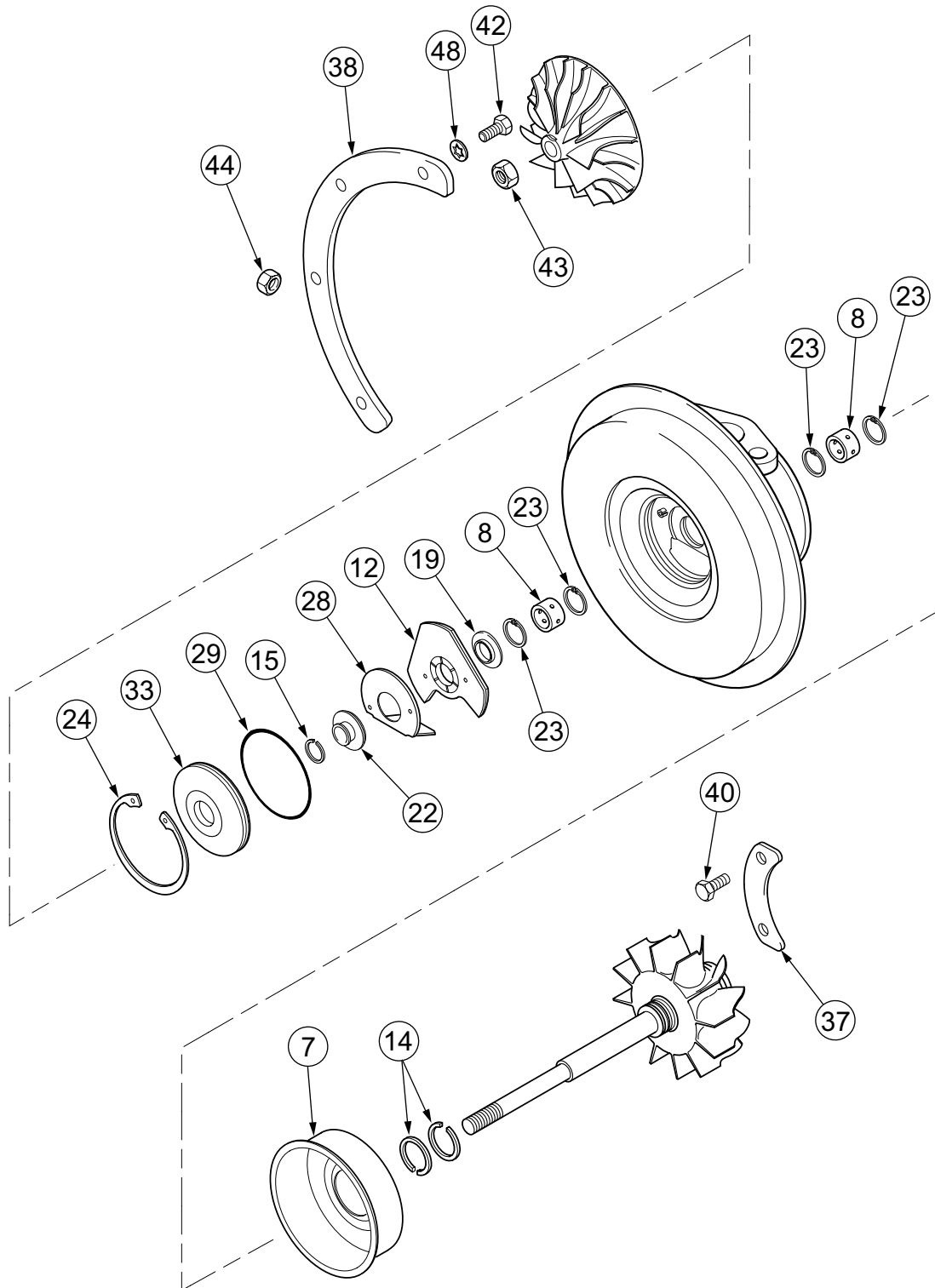
Holset

HX50/55

Type Turbos

HX50/55 Type

Common Service Parts



HX50/55 Type

Repair Kits and Service Parts

All parts are available for purchase as individual components or in the following popular Repair Kits

Key	part number	Description	qty in Turbo	1153-050-750	1153-050-751	1153-055-750
8	1152-302-100	Journal Bearing HX50	2	2	2	
8	1153-055-100	Journal Bearing HX55	2			2
12	1153-050-320	Thrust Bearing HX50/55	1	1	1	1
14	1150-400-160	Piston Ring 0.885" Turbine	2			2
14	1152-302-160	Piston Ring 0.760" Turbine	1		1	
14	1153-050-160	Piston Ring 0.750" Turbine	2	2		
15	1152-302-170	Piston Ring Comp	1		1	1
19	n/a	Thrust Collar	1			
22	1152-302-200	Thrust Flinger	1			
23	1152-302-140	Retaining Ring J-Brg	4	4	4	
23	1301-036-140	Retaining Ring - J-Brg	4			4
24	1250-403-140	Retaining Ring (Insert)	1	1	1	1
29	1152-302-150	O Ring (Seal Plate)	1	1	1	1
30	1153-050-155	O Ring (164mm Comp Cover)	1	1	1	
30	1153-050-156	O Ring (152mm Comp Cover)	1	1		
37	1152-302-520	Lock Plate (Turb)	3		3	
40	1301-027-600	Bolt (Turbine Hsg)	6	6	6	6
43	1153-050-350	Shaft Nut	1	1	1	1
44	1153-050-645	V-Band Nut	1	1	1	1
48	1153-050-580	Lockwasher (Internal serrated)	8	8	8	

Technical Note:

Piston rings 3532814 and 3536143 are the same dimension but different material. Melett uses the higher spec M2 stainless material to replace both these Holset part numbers offering an improved quality repair. This also reduces the number of repair kit variations.

Description of Repair Kits available

1153-050-750	Repair Kit HX50 to replace 3545627
1153-050-750	Repair Kit HX50 to replace 3580758
1153-050-750	Repair Kit HX50 to replace 3575193
1153-050-750	Repair Kit HX50 to replace 3575234
1153-050-751	Repair Kit HX50 to replace 4027045
1153-050-751	Repair Kit HX50 to replace 3545997
1153-050-751	Repair Kit HX50 to replace 3575015
1153-055-750	Repair Kit HX55 to replace 3575181
1153-055-750	Repair Kit HX55 to replace 3580762
1153-055-751	Repair Kit HX55 Major

For oversize bearings and piston rings, see Page 66

HX50/55 Type

Oversize Repair Parts

Journal Bearings

HX50		
Standard	Standard	1152-302-100
+ 0.010"	- 0.010"	1152-302-120
+ 0.010"	Standard	1152-302-124
Standard	- 0.010"	1152-302-127
HX55		
Standard	Standard	1153-055-100
+ 0.010"	- 0.010"	1153-055-120
+ 0.010"	Standard	1153-055-124
Standard	- 0.010"	1153-055-127

Piston Rings

HX50		Turbine	Compressor
OD	Width		
Standard	Standard	1153-050-160	
Standard	Standard	1152-302-160	
+ 0.010"	Standard	1152-302-180	
Standard	+ 0.010"	1152-302-181	
+ 0.010"	+ 0.010"	1152-302-182	
Standard	Standard		1152-302-170

HX55		Turbine	Compressor
OD	Width		
Standard	Standard	1150-400-160	
+ 0.010"	Standard	1153-055-180	
Standard	Standard		1152-302-170



T: +44 (0) 1484 864867
F: +44 (0) 1484 861116
E: info@melett.com



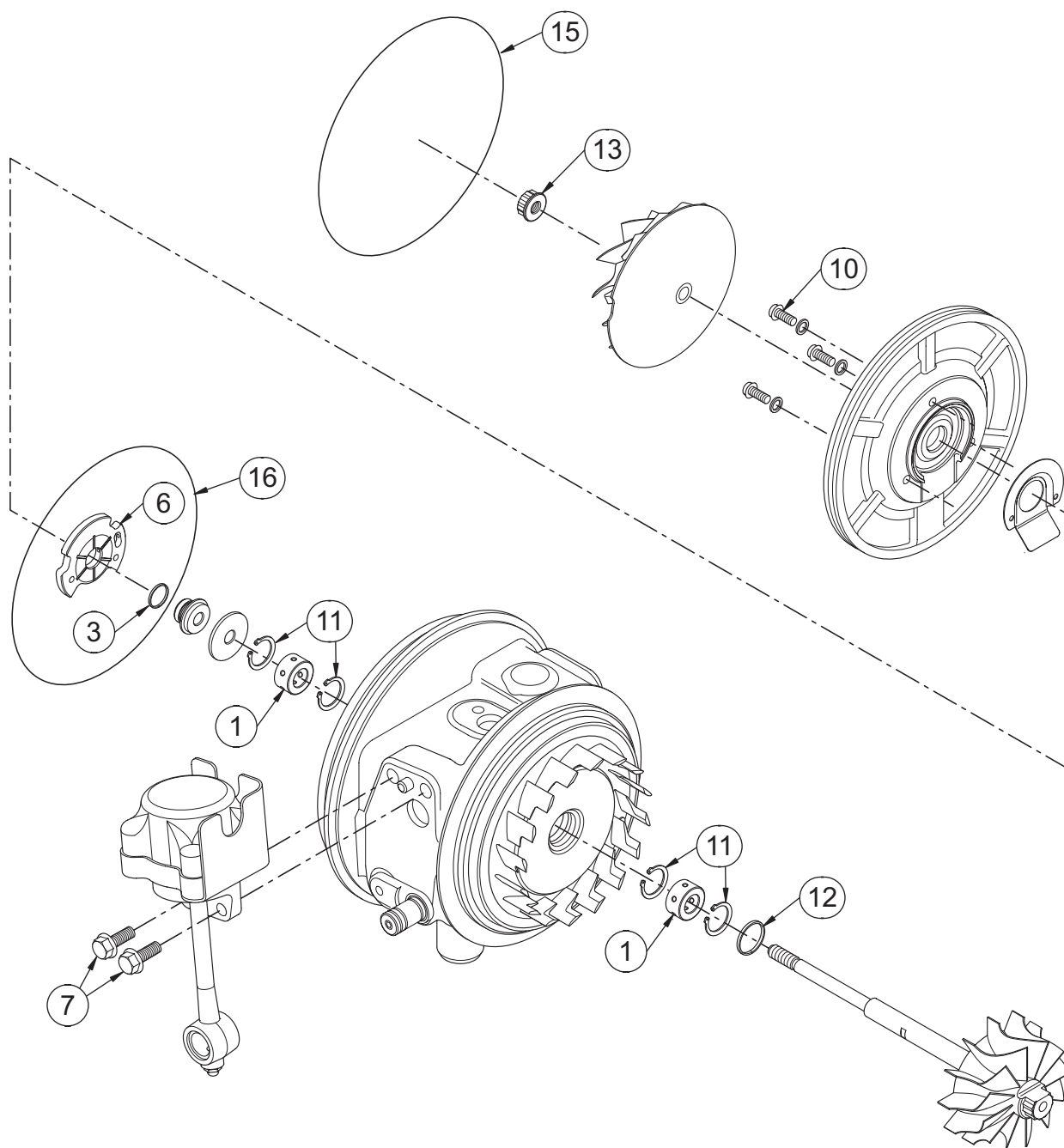
Holset

HY55/HE551

Type Turbos

HY55V/HE551 Type

Common Service Parts



HY55V/HE551 Type

Repair Kits and Service Parts

All parts are available for purchase as individual components or in the following popular Repair Kits

Key	part number	Description	qty in Turbo	1154-055-750	1154-055-751	1154-055-752	1154-055-753
8	1153-055-100	Journal Bearing	2	2	2	2	2
12	1154-055-320	Thrust Bearing HE551V	1	1			1
12	1154-055-321	Thrust Bearing HY55V	1		1	1	
14	1150-400-160	Piston Ring 0.885"	2	2	2	2	2
15	1152-302-170	Piston Ring Comp	1	1	1	1	1
23	1301-036-140	Retaining Ring - J-Brg	4	4	4	4	4
29	1154-055-150	O Ring HE/HY55	1	1	1	1	1
30	1250-040-155	O Ring C/Cover HY55	1		1	1	
31	1154-055-155	O Ring C/Cover HY55	1	1			1
40	1154-040-625	Bolt (Patched) (Actuator	3	3	3	3	3
44	1153-050-645	V-Band Nut	2	2	2	2	2
-	1154-040-630	Washer (Doughty Seal)	3	3	3	3	3
-	1154-040-635	Lip Seal	3	3	3	3	3
-	1154-055-960	Core Plug	1	1	1	1	1

Description of Repair Kits available

- 1154-055-750 Repair Kit HE531 551V to replace 4032255
- 1154-055-751 Repair Kit HY55V to replace 4031455
- 1154-055-752 Repair Kit (Major) HY55V includes Lip seals
- 1154-055-753 Repair Kit (Major) HE551V includes Lip seals

For oversize bearings and piston rings, see Page 70

HY55V/HE551 Type

Oversize Repair Parts

Journal Bearings

HY55/HE551		
Standard	Standard	1153-055-100
+ 0.010"	- 0.010"	1153-055-120
+ 0.010"	Standard	1153-055-124
Standard	- 0.010"	1153-055-127

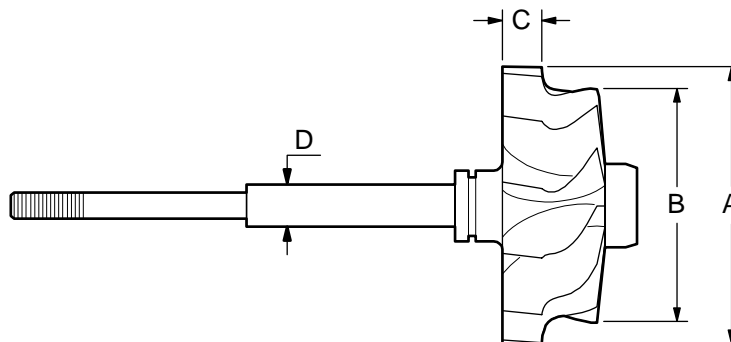
Piston Rings

HY55/HE551		Turbine	Compressor
OD	Width		
Standard	Standard	1150-400-160	
+ 0.010"	Standard	1153-055-180	
Standard	Standard		1152-302-170

HY55/HE551 Type

Major Replacement Parts

Shaft and Wheel



OE Number	Melett Part No.	Inducer Diameter A	Exducer Diameter B	Tip Height C	Journal Bearing D	Comp. Wheel Bore E	Blades	Type of Shaft
3590433	1154 055 435	86.00	80.00	10.46	12.18	8.00	12	Straight
3593668	1154 055 436	86.00	75.00	10.46	12.18	8.00	12	Straight
3599629	1154 055 435	86.00	80.00	10.46	12.18	8.00	12	Straight



T: +44 (0) 1484 864867
F: +44 (0) 1484 861116
E: info@melett.com





T: +44 (0) 1484 864867
F: +44 (0) 1484 861116
E: info@melett.com



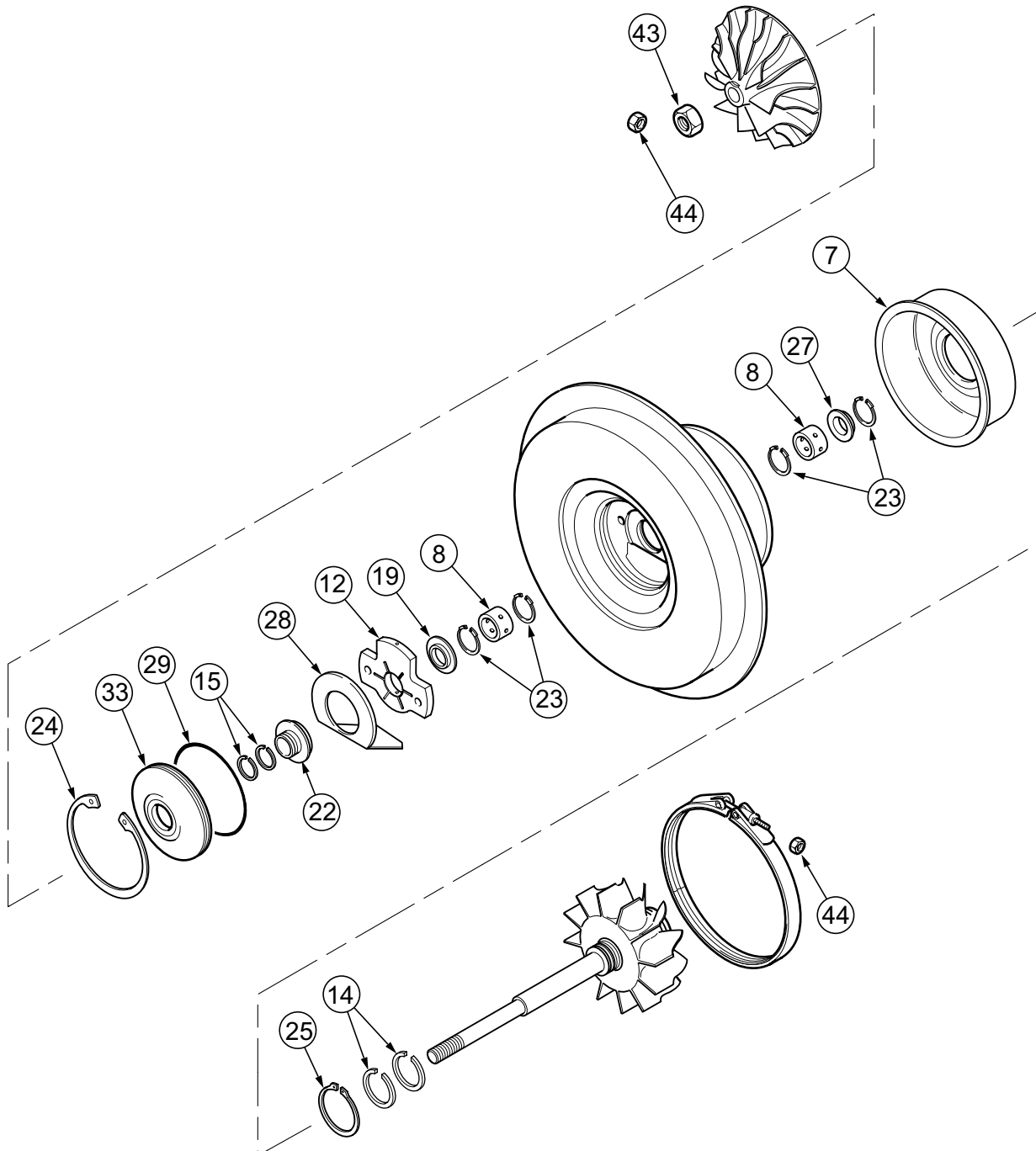
Holset

HX60

Type Turbos

HX60 Type

Common Service Parts



HX60 Type

Repair Kits and Service Parts

All parts are available for purchase as individual components or in the following popular Repair Kits

Key	part number	Description	qty in Turbo	1153-060-750
8	1250-040-100	Journal Bearing	2	2
12	1153-060-320	Thrust Bearing	1	1
14	1150-400-160	Piston Ring 0.885"	1	2
15	1152-303-170	Piston Ring (0.750")	2	2
23	1301-036-140	Retaining Ring - J-Brg	4	4
24	1250-403-140	Retaining Ring (Insert)	1	1
25	1153-060-145	Retaining Ring (Heat Shield)	1	1
27	1250-040-260	Oil Control Sleeve (4L)	1	
29	1250-030-150	O Ring (Insert 65mm)	1	1
30	1153-060-155	O Ring Comp Cover HX60/60W	1	1
43	1152-105-351	Shaft Nut LHT	1	1
44	1153-050-645	V-Band Nut HX50/55	2	2
48	1152-303-580	Internal Serated Lock Washer	10	10

Description of Repair Kits available

1153-060-750 Repair Kit HX60 To replace 3545345/4027880

For oversize bearings and piston rings, see Page 76

HX60 Type

Oversize Repair Parts

Journal Bearings

H3B		
Standard	Standard	1250-040-100
+ 0.010"	- 0.010"	1250-040-120
+ 0.010"	Standard	1250-040-124
Standard	- 0.010"	1250-040-127

Piston Rings

H3B		Turbine	Compressor
OD	Width		
Standard	Standard	1150-400-160	
+ 0.010"	Standard	1150-400-180	
Standard	+ 0.010"	1150-400-185	
Standard	Standard		1152-303-170
+ 0.010"	Standard		1150-400-181



T: +44 (0) 1484 864867
F: +44 (0) 1484 861116
E: info@melett.com



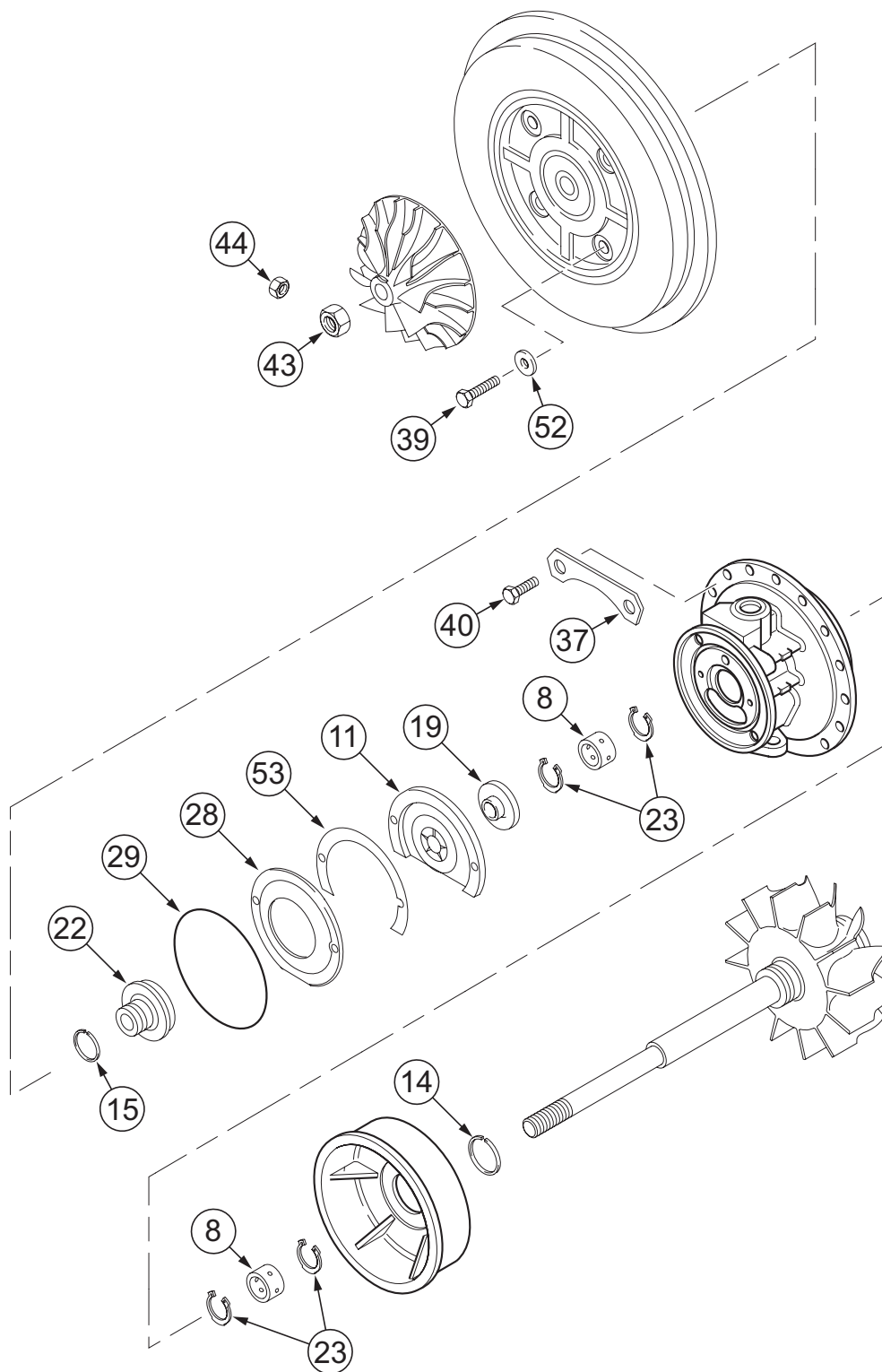
Holset

HT4/ HT80

Type Turbos

HT4/HT80 Type

Common Service Parts



HT4/HT80 Type

Repair Kits and Service Parts

All parts are available for purchase as individual components or in the following popular Repair Kits

Key	part number	Description	qty in Turbo	1152-104-750
8	1152-105-100	Journal Bearing	2	2
11	1153-080-321	Thrust Bearing	1	1
14	1152-105-160	Piston Ring (Turb End)	1	1
15	1152-105-170	Piston Ring (Comp End)	1	1
23	1152-105-140	Retaining Ring -J-Brg	4	4
28	1152-105-310	Oil Deflector/Baffle	1	1
29	1152-301-150	O Ring (Brg Hsg/Seal Plate)	1	1
37	1152-105-520	Lockplate (Turbine)	4	4
39	1152-105-620	Bolt (Diffuser) Micro	4	4
40	1152-105-600	Bolt (Turbine Hsg)	8	8
43	1250-040-350	Shaft Nut RHT	1	1
44	1100-120-645	Lock Nut (V-Band)	1	1
53	1152-105-250	Shim (Thrust Brg)	1	1

Description of Repair Kits available

1152-104-750 Repair Kit HT4/HT80 To replace 3545649

For oversize bearings and piston rings, see Page 80

HT4/HT80 Type

Oversize Repair Parts

Journal Bearings

HT4/HT80		
Standard	Standard	1152-105-100
+ 0.010"	- 0.010"	1152-105-120
+ 0.010"	Standard	1152-105-124
Standard	- 0.010"	1152-105-127

Piston Rings

HT4/HT80		Turbine	Compressor
OD	Width		
Standard	Standard	1152-105-160	
+ 0.010"	Standard	1152-105-180	
Standard	Standard		1152-105-170



T: +44 (0) 1484 864867
F: +44 (0) 1484 861116
E: info@melett.com



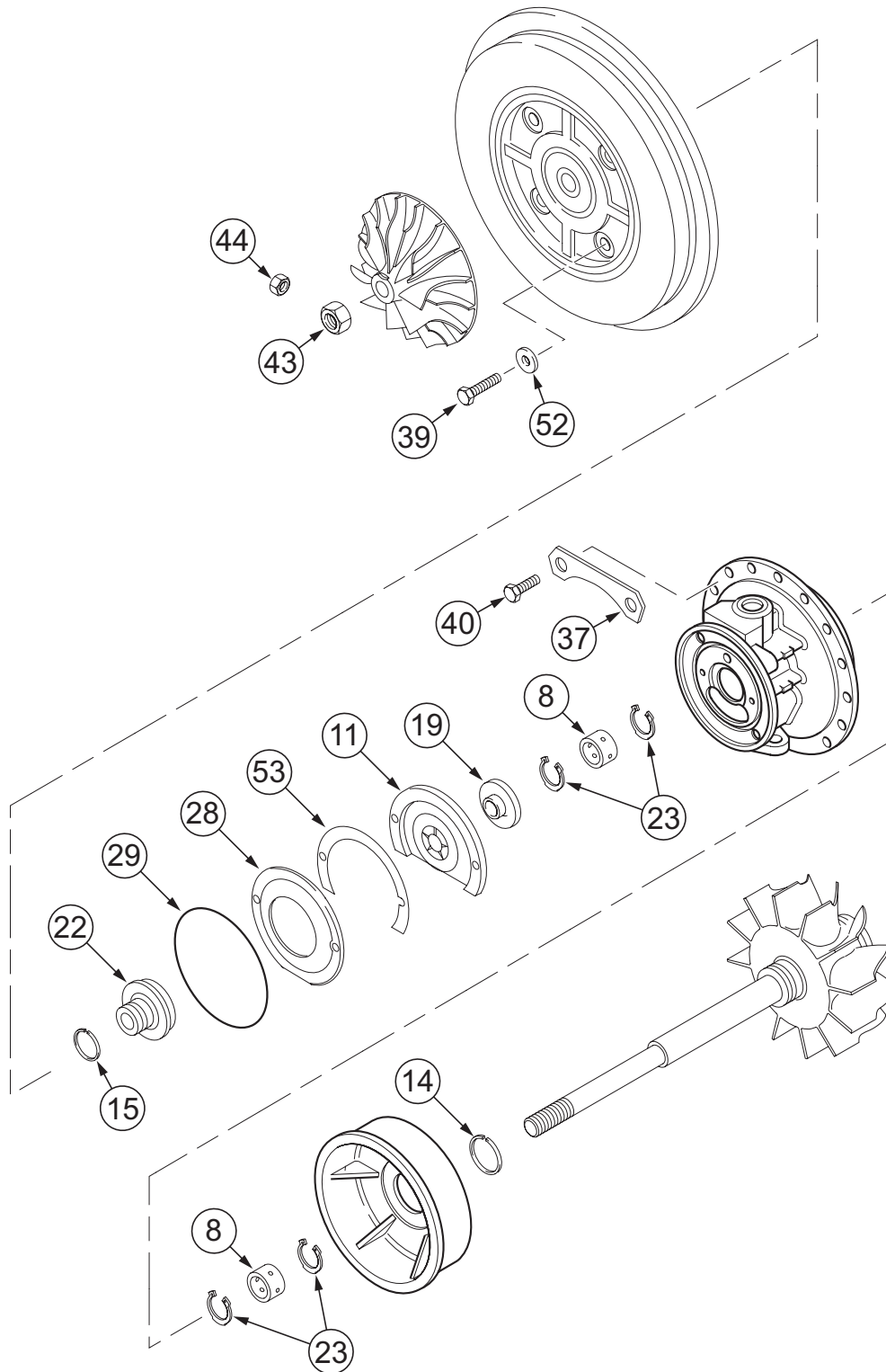
Holset

HC5A/ HX80/82/85

Type Turbos

HC5A/ HX80/82/85 Type

Common Service Parts



HC5A/ HX80/82/85 Type

Repair Kits and Service Parts

All parts are available for purchase as individual components or in the following popular Repair Kits

Key	part number	Description	qty in Turbo	1152-105-750	1152-105-759
8	1152-105-100	Journal Bearing	2	2	
11	1152-105-320	Thrust Bearing	1	1	1
14	1152-105-160	Piston Ring (Turb End)	1	1	1
15	1152-105-170	Piston Ring (Comp End)	1	1	1
23	1152-105-140	Retaining Ring - J-Brg	4	4	4
28	1152-105-310	Oil Deflector/Baffle	1	1	1
29	1152-301-150	O Ring (Brg Hsg/Seal Plate)	1	1	1
37	1152-105-520	Lockplate (Turbine)	4	4	4
39	1152-105-620	Bolt (Diffuser) Micro	4	4	4
40	1152-105-600	Bolt (Turbine Hsg)	8	8	8
43	1152-105-351	Shaft Nut LHT	1	1	1
44	1100-120-645	Lock Nut (V-Band)	1	1	1
53	1152-105-250	Shim (Thrust Brg)	1	1	1

Description of Repair Kits available

- 1152-105-750** Repair Kit HC5A To replace 3545647
1152-105-759 Repair Kit HC5A (No Journal Bearing)

For oversize bearings and piston rings, see Page 84

HC5A/ HX80/82/85 Type

Oversize Repair Parts

Journal Bearings

HC5/HX80		
Standard	Standard	1152-105-100
+ 0.010"	- 0.010"	1152-105-120
+ 0.010"	Standard	1152-105-124
Standard	- 0.010"	1152-105-127

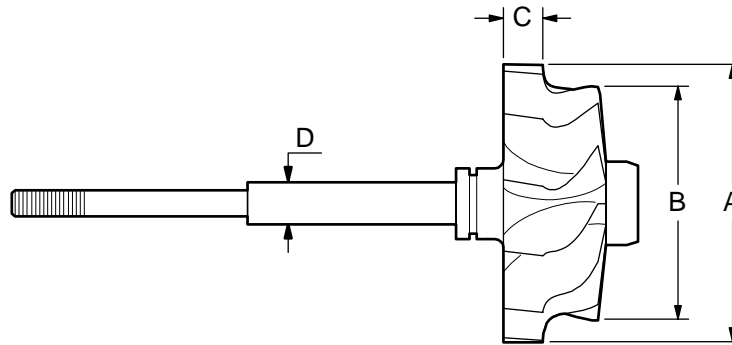
Piston Rings

HC5A/HX80		Turbine	Compressor
OD	Width		
Standard	Standard	1152-105-160	
+ 0.010"	Standard	1152-105-180	
Standard	Standard		1152-105-170

HC5A/ HX80/82/85 Type

Major Replacement Parts

Shaft and Wheel



OE Number	Melett Part No.	Inducer Diameter A	Exducer Diameter B	Tip Height C	Journal Bearing D	Comp. Wheel Bore E	Blades	Type of Shaft
3521033	1152-105-435	129.00	95.40	19	15.97	11.11	11	Straight
3521034	1152-105-436	129.00	111.60	19	15.97	11.11	11	Straight
3524031	1152-105-438	129.00	111.60	19	15.97	11.11	11	Straight